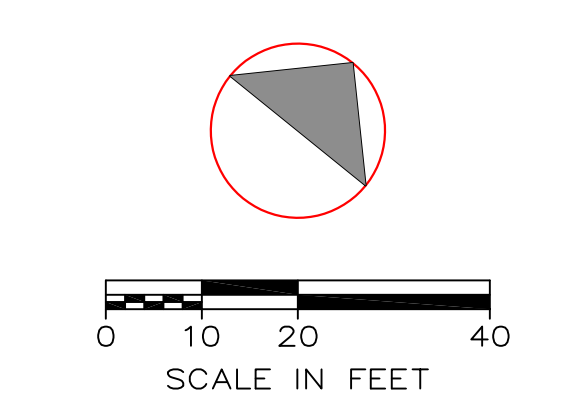


LOCATION MAP
N.T.S.



ZONING SCHEDULE

PALISADES ENTERPRISES LLC	REQUIRED	PROVIDED
ZONE: HC HIGHWAY COMMERCIAL	HC ZONE	
23.20'-10, 11, 12 & 13		
MINIMUM LOT AREA (S.F.)	20,000 SF	73,573 SF
MINIMUM LOT WIDTH	100'	247'
MAXIMUM HEIGHT		
IN STORIES	2 1/2	2 1/2
IN FEET	35	35
MINIMUM YARD DIMENSIONS		
FRONT	30'	30'
SIDE	30'	30'
REAR	30'	30'
MAXIMUM BUILDING COVERAGE	20%	4%
MINIMUM LANDSCAPE COVERAGE	30%	60%
BUFFER STRIP ABUTTING RESIDENTIAL DISTRICT	50'	50'
BUFFER STRIP ABUTTING STREET LINE	25'	25'
OFF-STREET PARKING SPACES (BASED ON USE)	Required	Provided
RETAIL STORE: 2230 SF (HABITABLE)(1/300 SF)	8	11
OFFICE SPACE: 1090 SF (HABITABLE)(1/400 SF)	3	3

NOTE: SITE IS NOT LOCATED IN FEMA FLOOD ZONE AS DEPICTED ON THE FEMA FIRM PANEL.

LEGEND

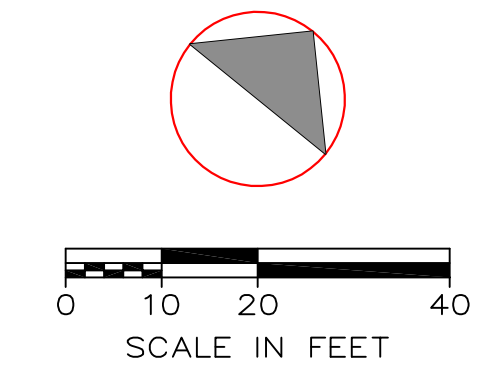
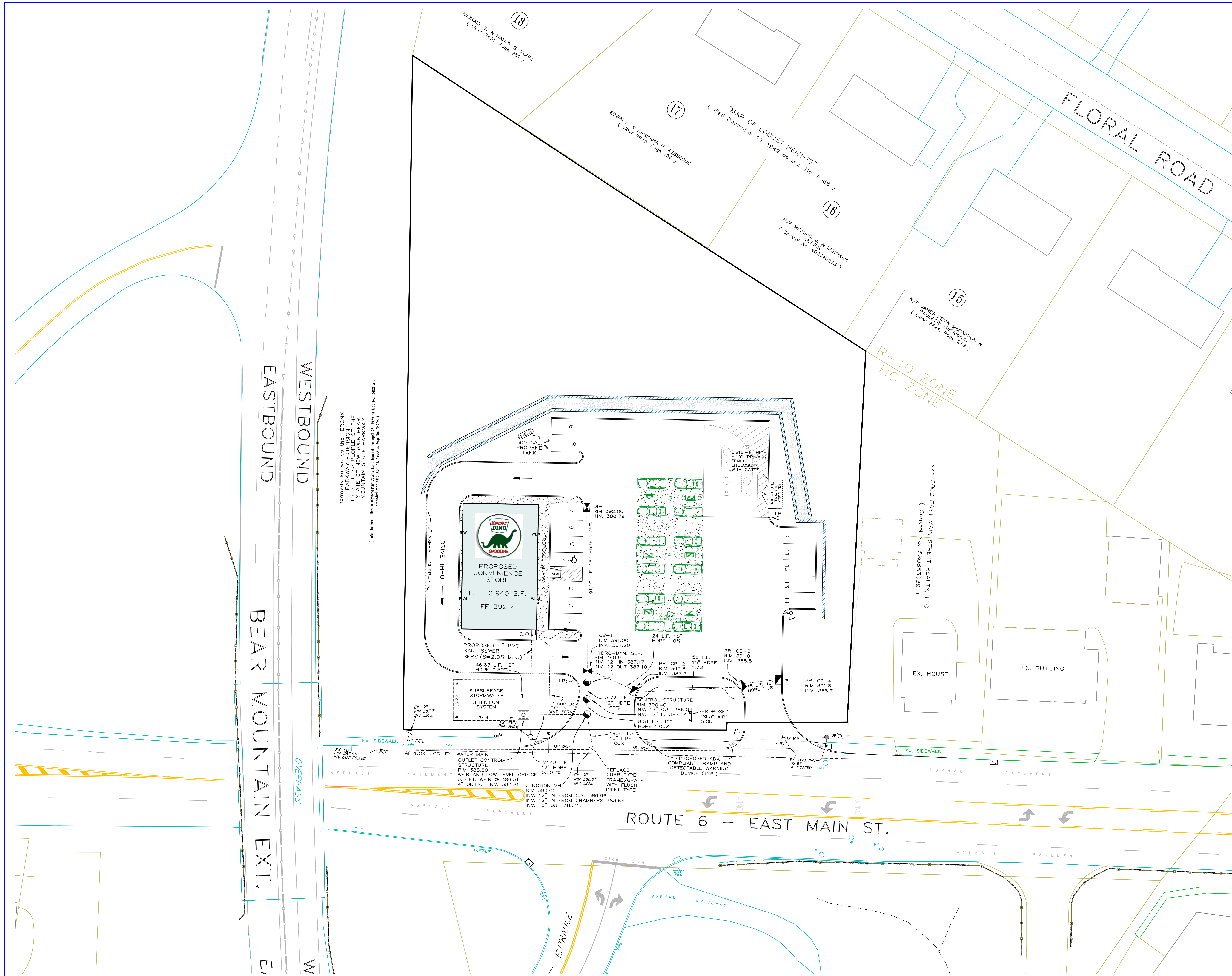
EXISTING	PROPOSED		
		□	CATCH BASIN
		○	DRAIN MANHOLE
		⊗	SAN. SEWER MANHOLE
		⊕	HYDRANT
		⊖	DRAIN INLET
		⊕	WATER VALVE
		⊙	UTILITY POLE
		⊙	LIGHT POLE
		⊙	TREE
		-	CONTOUR LINE

RALPH G. MASTROMONACO, PE, P.C.
Consulting Engineers
13 Dove Court, Croton-on-Hudson, New York 10520
(914) 271-4762 (914) 271-2820 Fax

GRADING/LAYOUT
PROPOSED
CONVENIENCE STORE
GAS STATION REHABILITATION
PREPARED FOR
PALISADES ENTERPRISES, LLC
ROUTE 6 - E. MAIN ST.
TOWN OF CORTLANDT
WESTCHESTER COUNTY, NY
MAY 6, 2020
SHEET 1 OF 8 SHEETS

Unauthorized alterations or additions to this drawing is a violation of Section 7209 (2) of the New York State Education Law.

REVISED: AUGUST 19, 2020
REVISED: JULY 23, 2020
REVISED: JUNE 17, 2020



LEGEND

EXISTING	PROPOSED	DESCRIPTION
[Symbol]	[Symbol]	CATCH BASIN
[Symbol]	[Symbol]	DRAIN MANHOLE
[Symbol]	[Symbol]	SAN. SEWER MANHOLE
[Symbol]	[Symbol]	HYDRANT
[Symbol]	[Symbol]	DRAIN INLET
[Symbol]	[Symbol]	WATER VALVE
[Symbol]	[Symbol]	UTILITY POLE
[Symbol]	[Symbol]	LIGHT POLE
[Symbol]	[Symbol]	TREE
[Symbol]	[Symbol]	CONTOUR LINE

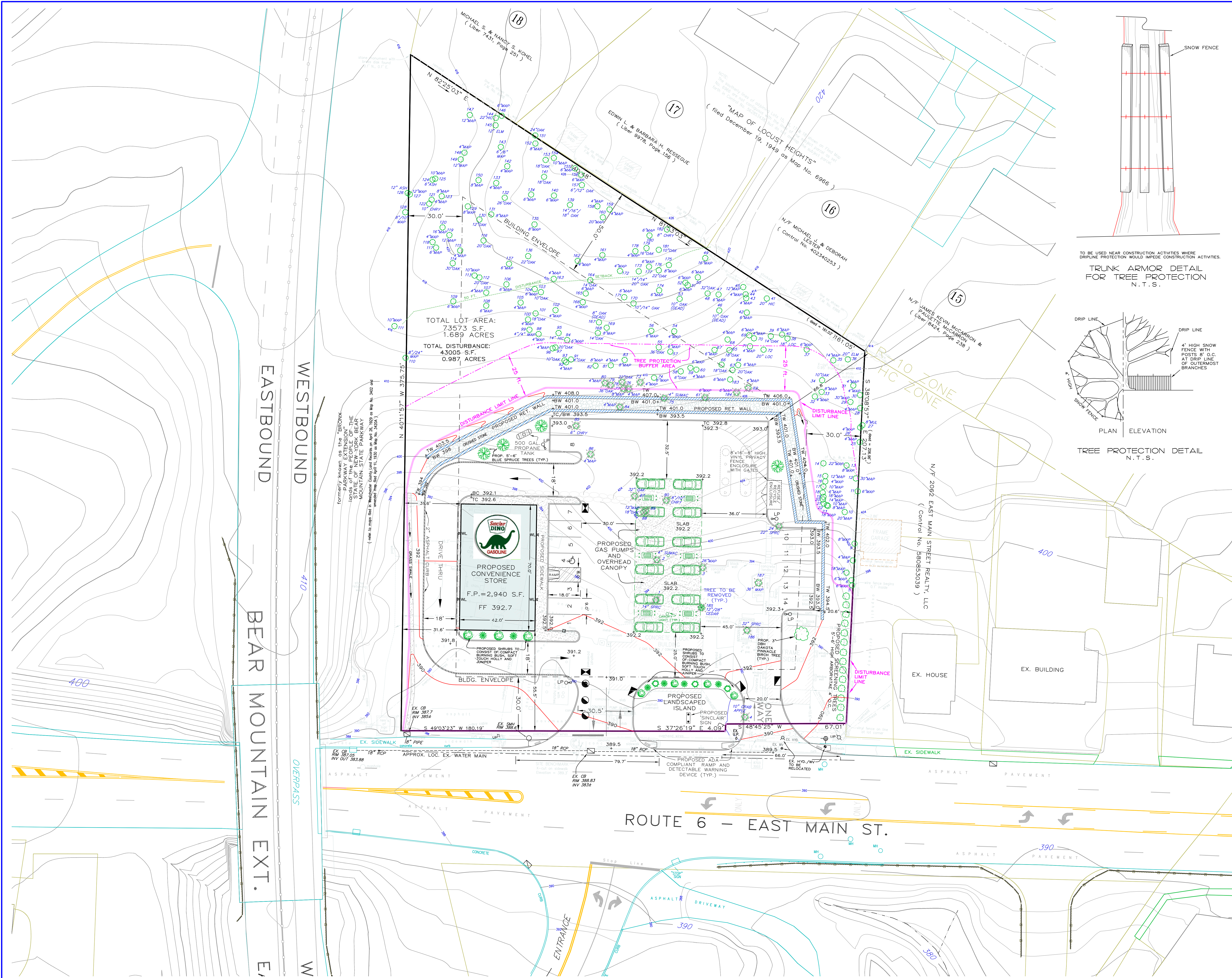
RALPH G. MASTROMONACO, PE, P.C.
 Consulting Engineers
 13 Dove Court, Croton-on-Hudson, New York 10520
 (914) 271-4762 (914) 271-2820 Fax

UTILITY PLAN
 PROPOSED
 CONVENIENCE STORE
 GAS STATION REHABILITATION
 PREPARED FOR
 PALISADES ENTERPRISES, LLC
 ROUTE 6 - E. MAIN ST.
 TOWN OF CORTLANDT
 WESTCHESTER COUNTY, NY
 MAY 6, 2020

REVISED: AUGUST 19, 2020

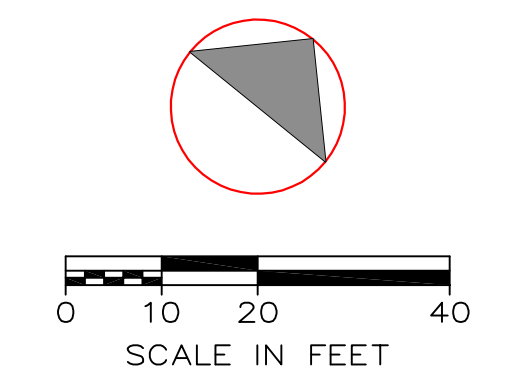
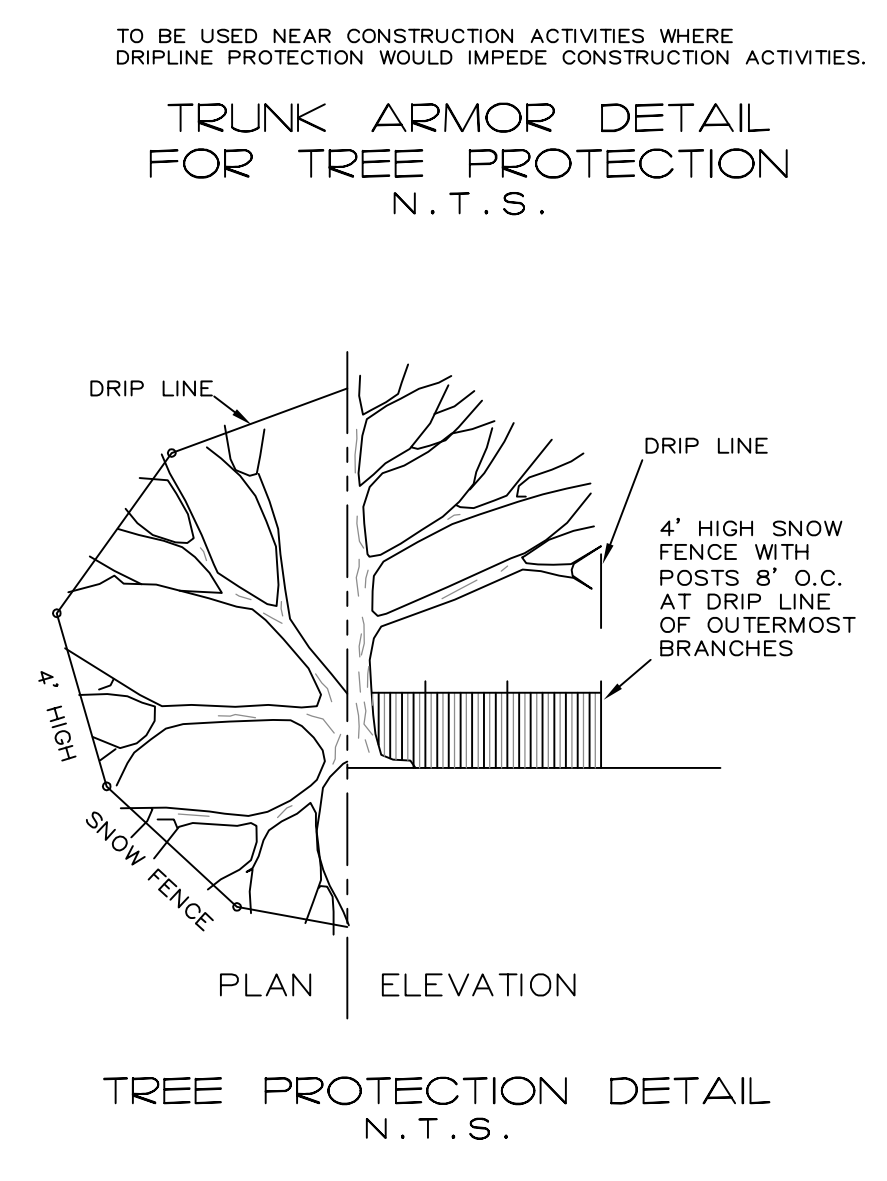
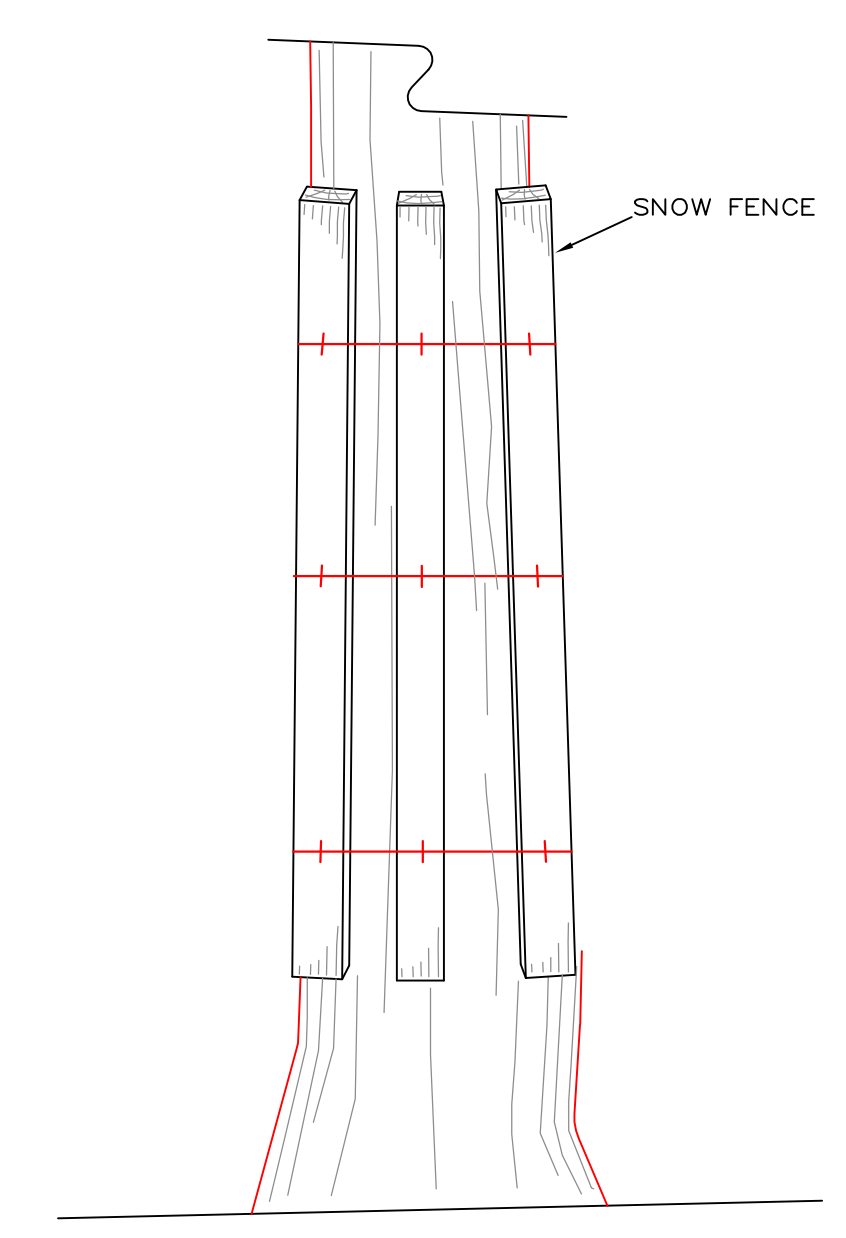
SHEET 2 OF 8 SHEETS

Unauthorized alterations or additions to this drawing is a violation of Section 7209 (2) of the New York State Education Law.



TREE PROTECTION NOTES:

1. Prior to commencement of any grading, construction or tree removal, a tree protection area for any tree located within 25 feet of any proposed grading, construction or tree removal, or within the tree's critical root zone, whichever is greater, must be established by physical barriers and maintained until such work is completed.
2. Active tree protection shall consist of chain-link, orange laminated plastic, wooden post and rail fencing or other equivalent restraining material placed at the edge of the critical root zone. If addition to fencing, where tree trunks are in jeopardy of being damaged by equipment, the administrator shall require boards of two inches by four inches to be strapped around the trunk of the trees. In addition, where active tree protection is required, each tree to be saved shall be marked at the base of the trunk with blue-colored water-based paint.



LEGEND

EXISTING	PROPOSED	DESCRIPTION
[Symbol]	[Symbol]	CATCH BASIN
[Symbol]	[Symbol]	DRAIN MANHOLE
[Symbol]	[Symbol]	SAN. SEWER MANHOLE
[Symbol]	[Symbol]	HYDRANT
[Symbol]	[Symbol]	DRAIN INLET
[Symbol]	[Symbol]	WATER VALVE
[Symbol]	[Symbol]	UTILITY POLE
[Symbol]	[Symbol]	LIGHT POLE
[Symbol]	[Symbol]	CONTOUR LINE
[Symbol]	[Symbol]	TREE
[Symbol]	[Symbol]	TREE TO BE REMOVED

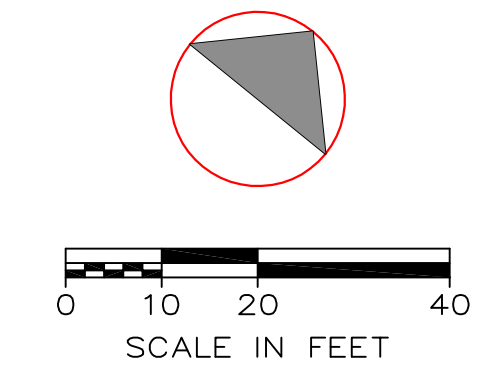
RALPH G. MASTROMONACO, PE, P.C.
Consulting Engineers
13 Dove Court, Croton-on-Hudson, New York 10520
(914) 271-4762 (914) 271-2820 Fax

TREE PLAN
PROPOSED
CONVENIENCE STORE
GAS STATION REHABILITATION
PREPARED FOR
PALISADES ENTERPRISES, LLC
ROUTE 6 - E. MAIN ST.
TOWN OF CORTLANDT
WESTCHESTER COUNTY, NY
MAY 6, 2020

SHEET 3 OF 8 SHEETS

Unauthorized alterations or additions to this drawing is a violation of Section 7209 (2) of the New York State Education Law.

REVISED: AUGUST 19, 2020
REVISED: JUNE 17, 2020



LEGEND

EXISTING	PROPOSED	DESCRIPTION
		CATCH BASIN
		DRAIN MANHOLE
		SAN. SEWER MANHOLE
		HYDRANT
		WATER INLET
		UTILITY POLE
		LIGHT POLE
		TREE
		CONTOUR LINE

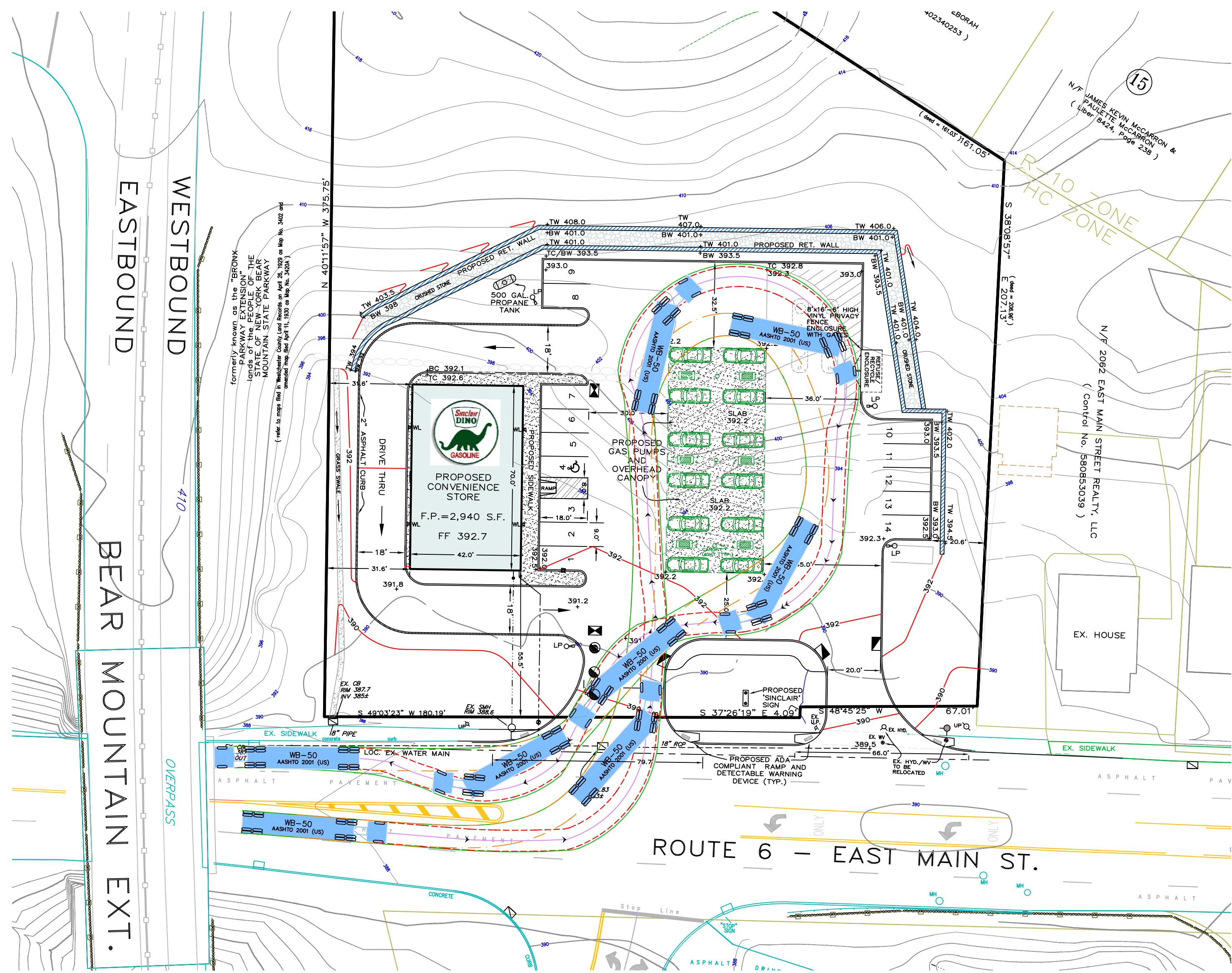
RALPH G. MASTROMONACO, PE, P.C.
 Consulting Engineers
 13 Dove Court, Croton-on-Hudson, New York 10520
 (914) 271-4762 (914) 271-2820 Fax

EXISTING CONDITIONS
 PROPOSED
 CONVENIENCE STORE
 GAS STATION REHABILITATION
 PREPARED FOR
 PALISADES ENTERPRISES, LLC
 ROUTE 6 - E. MAIN ST.
 TOWN OF CORTLANDT
 WESTCHESTER COUNTY, NY
 MAY 6, 2020

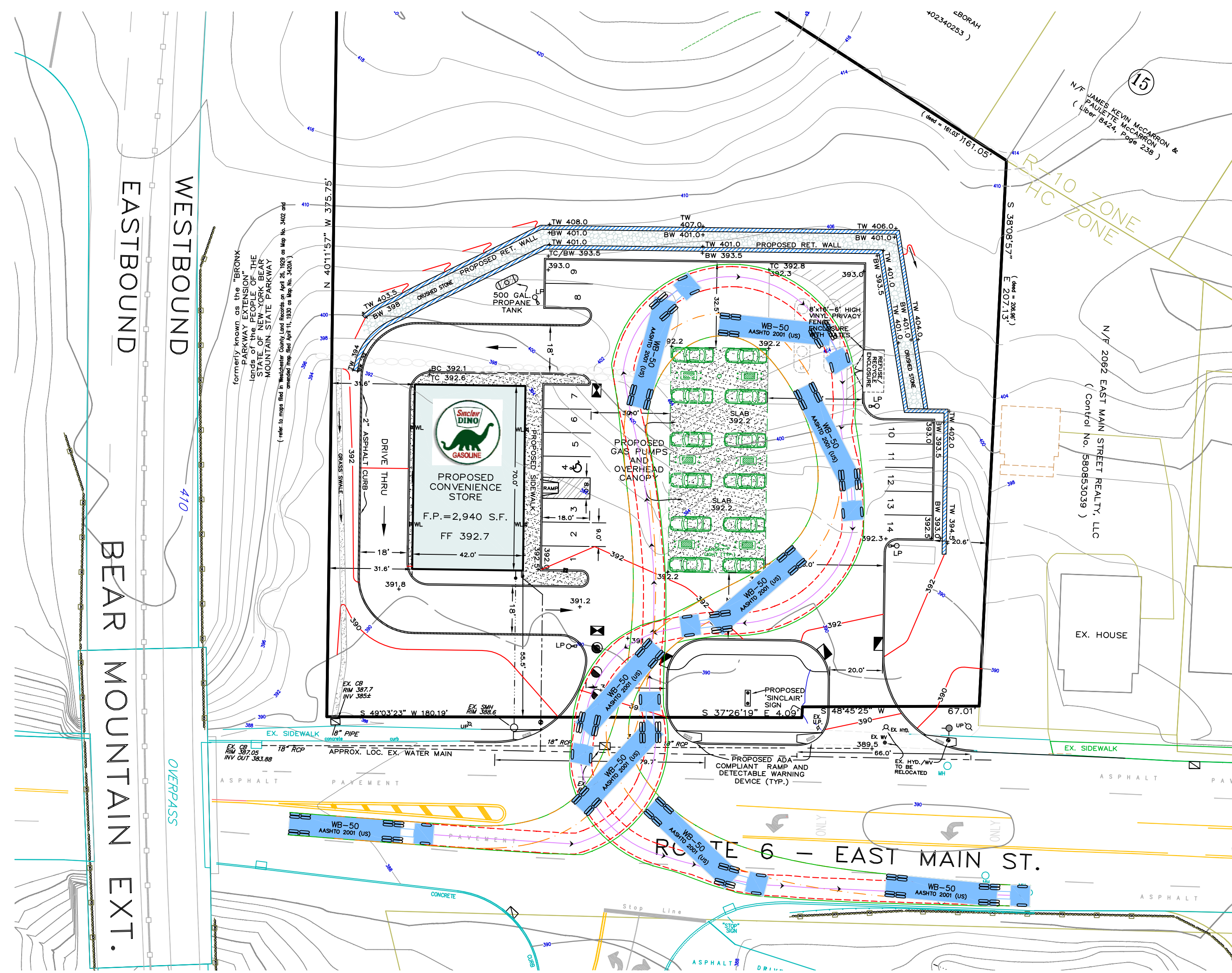
REVISED: JUNE 17, 2020

SHEET 4 OF 8 SHEETS

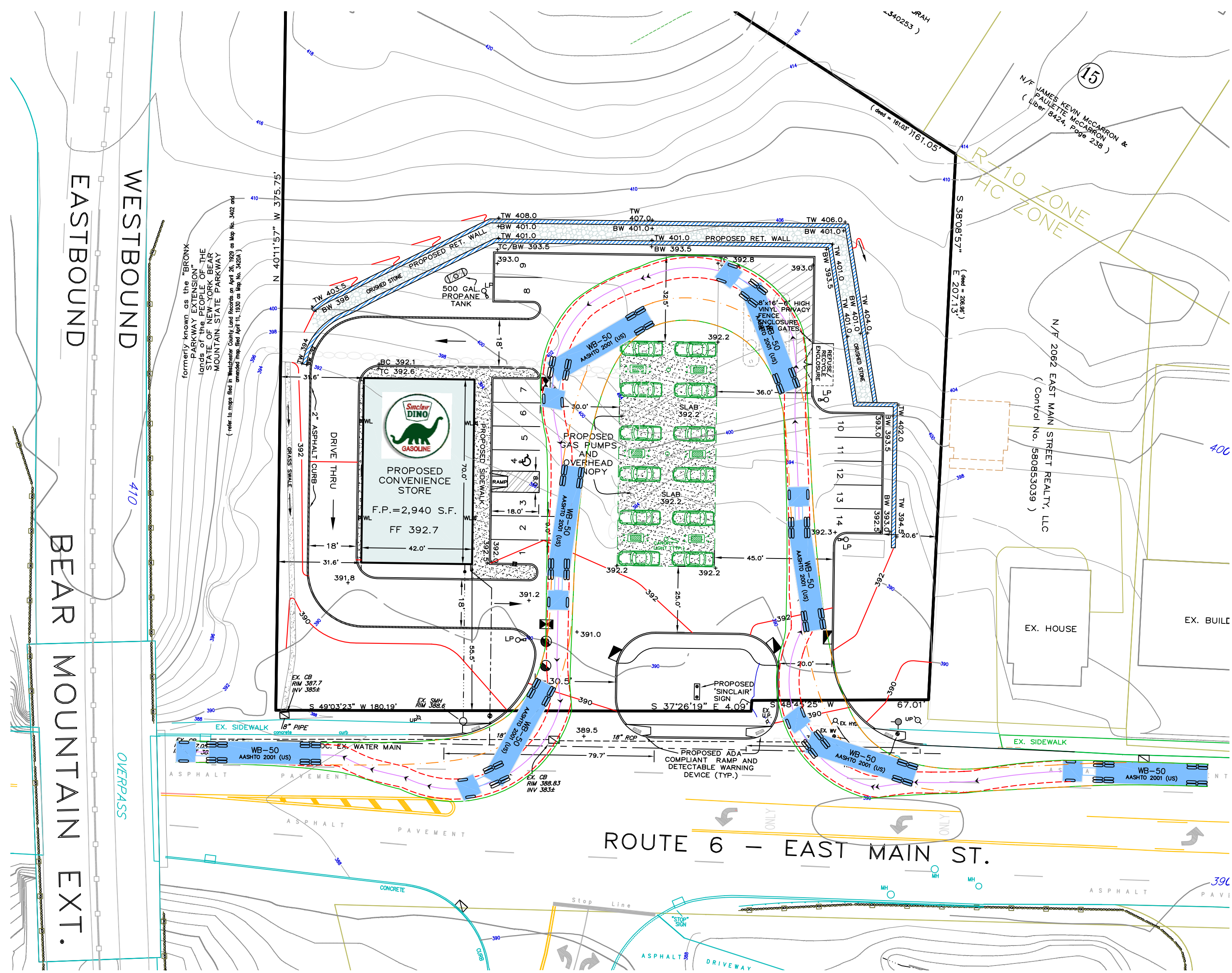
Unauthorized alterations or additions to this drawing is a violation of Section 7209 (2) of the New York State Education Law.



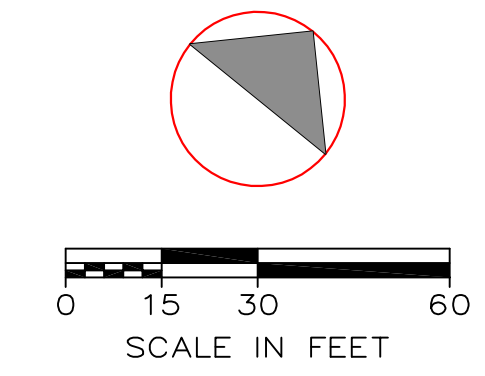
WB-50 TRUCK TURN
EASTBOUND APPROACH
WESTBOUND EXIT



WB-50 TRUCK TURN
EASTBOUND APPROACH
EASTBOUND EXIT



WB-50 TRUCK TURN
WESTBOUND APPROACH
WESTBOUND EXIT

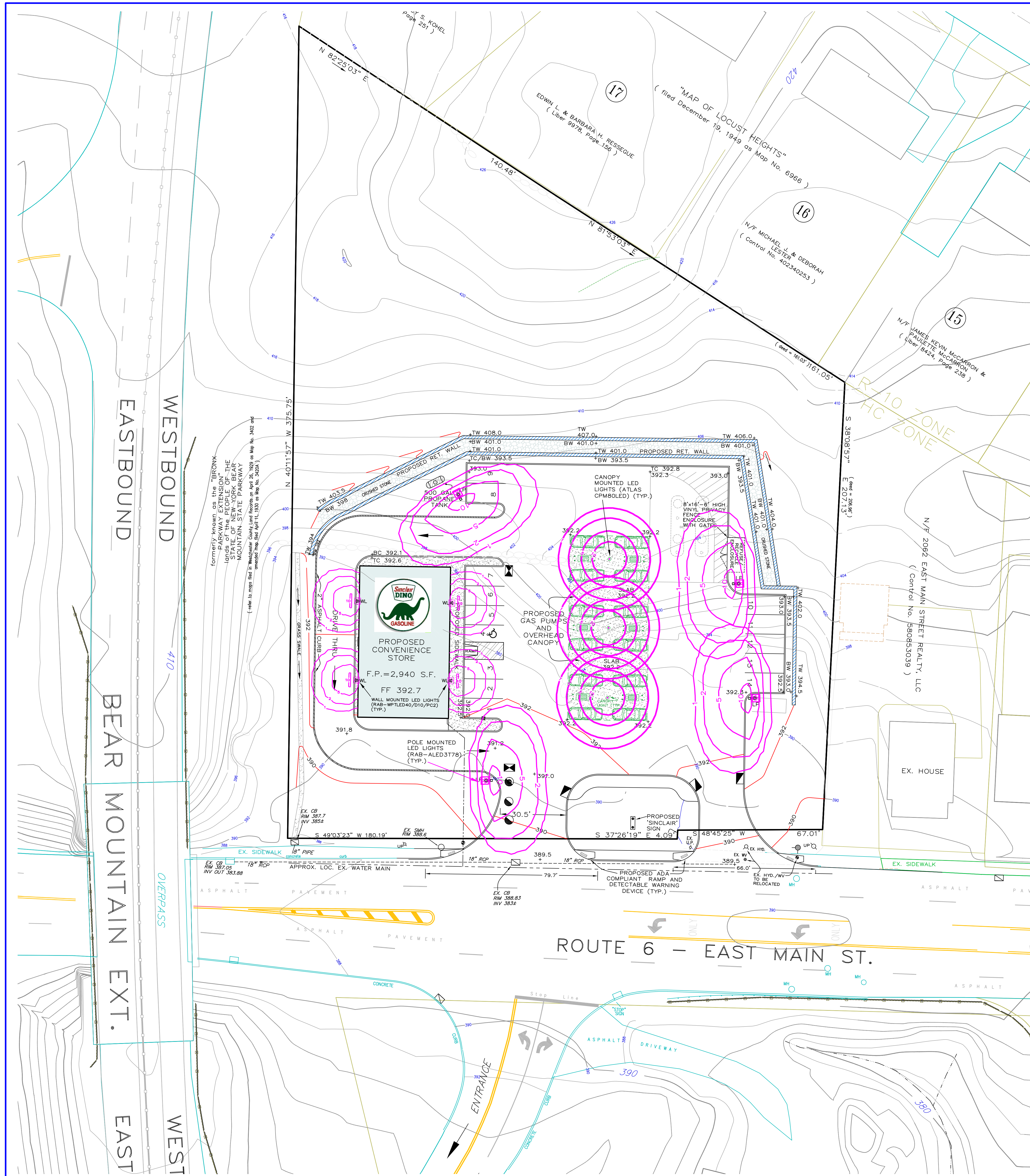


LEGEND

EXISTING	PROPOSED	DESCRIPTION
		CATCH BASIN
		DRAIN MANHOLE
		SAN. SEWER MANHOLE
		HYDRANT
		DRAIN INLET
		WATER VALVE
		UTILITY POLE
		LIGHT POLE
		TREE
		CONTOUR LINE

RALPH G. MASTROMONACO, PE, P.C.
Consulting Engineers
13 Dove Court, Croton-on-Hudson, New York 10520
(914) 271-4762 (914) 271-2820 Fax

TRUCK MANEUVERS
PROPOSED
CONVENIENCE STORE
GAS STATION REHABILITATION
PREPARED FOR
PALISADES ENTERPRISES, LLC
ROUTE 6 - E. MAIN ST.
TOWN OF CORTLANDT
WESTCHESTER COUNTY, NY
JULY 21, 2020
SHEET 5 OF 8 SHEETS



Atlas Canopy Light

CPMBLED 40 Watt LED Low Profile Canopy Light

Feature	CPMBLED	CPMBLED	CPMBLED	CPMBLED
Lumens	400	795.8	795.8	81.09
Watts	79.58	79.58	79.58	81.09
Lumens/Watt	121.76	121.76	121.76	121.11
CRI	83	83	83	83
CCT	3150	4000	4000	5078
DLC Prod. ID	PL99255	PL99244	PL91210	PL91210

Specifications:
 Designed for commercial and industrial applications, providing superior operating temperatures, brighter light and longer LED life. Apertures for continuous wiring. Housing is hinged for quick and easy mounting and removal.
Zero Glare: Using the latest high brightness, high LED count technology, more visible light output is produced while eliminating glare. The high transmissive lens, with 97% efficiency, is high impact scratch resistant and protects the LEDs. At the same time, it delivers improved visual comfort by eliminating glare and providing a wider smoother and more uniform light output.
Thermal Management: The Atlas Low Profile Canopy Light is designed as a complete system to optimize LED life and light output. The Patent Pending Thermal Stacking heat removal technology extracts heat from within the housing, resulting in lower LED junction temperatures. The lower temperature results in longer LED life (30,000+ hrs) and component life, and also allows for higher light output.
Lighting: DLC Listed (5000K or optional CCT) only. Design Light: Consortium Premium qualified luminaire, eligible for rebates from DLC member utilities.
AC Input: 120/240/277V
Driver: Constant Current, Class 2, 120-277 VAC, 47-63Hz, High Efficiency - min. 85%, 100% Dimmable, 0 Watts Dimming 0-10V
LEDs: 5000K | 5000K | 4500K | 5000K CCT
 "Epoxy Coated" protective conformal coated boards. Atlas LEDs provide higher lumen output, greater energy efficiency and more reliable fixture performance. They are tested and binning at 70000 hours which is the actual operating current used in Atlas LED luminaires, giving a better representation of actual performance.
Temperatures: Min Start: -35°C Max: 50°C
Warranty: Five year limited warranty
Testing: Atlas LED luminaires have been tested by an independent laboratory in accordance with IESNA LM-79 & LM-80.
800 Watt: for 800 watt suffix 4 to part number.
Weight: 10.0 lbs.

Relates and incentives are available in many areas. Contact an Atlas Representative for more information.
ATLAS LIGHTING PRODUCTS, INC. The majority of Atlas Lighting Products are assembled in USA facilities by an American Workforce utilizing both Domestic and Foreign components. Meet by American requirements within the ANSI.

CANOPY MOUNTED LIGHT N.T.S.

Project: _____ **Type:** _____
Prepared By: _____ **Date:** _____

Driver Info	LED Info
Type: _____	Watts: 79W
Current: _____	Color Temp: 5000K
Voltage: 120V	Color Accuracy: 71 CRI
Power Factor: 0.95	L70 Life Expectancy: 100,000
Efficiency: 121.76	Lumens: 810
	Beam Spread: 121.1°

Technical Specifications
Optical: Lifespan: 100,000-hour LED lifespan based on IES LM-80 results and TM-21 calculations.
800 Watt: 810-820
Replacement: Replace LED as needed.
DLC Listed: This product is listed by Design Lights Consortium (DLC) as an ultra-efficient product that qualifies for the highest tier of rebates from DLC Member Utilities.
IESNA LM-79 & IESNA LM-80 Testing: Atlas LED luminaires have been tested by an independent laboratory in accordance with IESNA LM-79 and LM-80 and have been awarded the Department of Energy "Lighting Facts" label.
Dim-Way Approved: The International Dim-Way Association has approved this product as a dim-to-dim, fully addressable luminaire.
UL Listing: Suitable for wet locations as a downlight.
IP Rating: Ingress Protection rating of IP66 for dust and water.
Ambient Temperature: Suitable for use in 10° F (14° C) ambient temperatures.
Cold Weather Starting: Minimum starting temperature is -40° F (-40° C).
Thermal Management: Superior heat sinking with external Air-Flow fins.
Effective Projected Area: Efficacy = 875
Housing: Die cast aluminum housing, lens frame and mounting rail.
Reflector: Special aluminum-machined polycarbonate.
Gaskets: High temperature silicone gaskets.
Finish: Formulated for high-visibility and long-lasting color.
Green Technology: Mercury and/or lead, RoHS compliant components. Polymer powder coat finish formulated without the use of VOC or toxic heavy metals.
For use on LEED Buildings: LEED Green Building Accredited means that this fixture can be used within LEED Green Building Accredited.
LED Characteristics: LEDs: 5000K multi-chip, 100% high output, long-life LEDs.
Color Consistency: 3-Step Macadam Close Spacing to achieve consistent beam-to-beam color.
Color Stability: LED color temperature is warranted to drift no more than 2000K CCT over a 5 year period.
Color Uniformity: 100% range of CCT (Consistent Color Temperature) across the footprint of the American National Standards Institute for the Chromaticity of Solid State Lighting (SSL) Products, ANSI C78-371, 2015.
Electrical: Driver: Constant Current, Class 2, 120VAC, 100-277V, 50-60Hz, 1.5A, Power Factor 95%
THD: 1.5% at 120V, 13.5% at 277V
Burge Protection: Nil
Warranty: Five year limited warranty.

POLE MOUNTED LIGHT N.T.S.

Project: _____ **Type:** _____
Prepared By: _____ **Date:** _____

Driver Info	LED Info
Type: _____	Watts: 40W
Current: 0.320A	Color Temp: 5000K
Voltage: 240V	Color Accuracy: 78 CRI
Power Factor: 0.97	L70 Life Expectancy: 100,000
Efficiency: 121.76	Lumens: 402
	Beam Spread: 100.1°

Technical Specifications
UL Listing: Suitable for wet locations. Will mount only.
IESNA LM-79 & IESNA LM-80 Testing: Atlas LED luminaires have been tested by an independent laboratory in accordance with IESNA LM-79 and LM-80, and have been awarded the Department of Energy "Lighting Facts" label.
LED Characteristics: Lifespan: 100,000-hour LED lifespan based on IES LM-80 results and TM-21 calculations.
LEDs: Long life, high efficiency outdoor mounting LEDs.
Color Stability: LED color temperature is warranted to drift no more than 2000K CCT over a 5 year period.
Color Uniformity: 100% range of CCT (Consistent Color Temperature) across the footprint of the American National Standards Institute for the Chromaticity of Solid State Lighting (SSL) Products, ANSI C78-371, 2015.
Drivers: Constant Current, Class 2, 500mA, 100-277V, 50-60Hz, 1.02A, 240V, 0.20A, 240V, 0.175A, 277V, 0.147A, Surge Protection: BV
Power Factor: 96.2% at 120V, 93.2% at 277V
THD: 11.9% at 120V, 14.2% at 277V
Dimming Driver: 0-10V dimming driver standard for ultimate flexibility. Use as dimmer or utilize the 0-10V DC dimming circuit for control.
Photocell: Photocell is color for 120V line, 277V, to enable energy save the provide outdoor dusk on and cover.
Optical: Formulated for high-visibility and long-lasting color.
800 Watt: 810-820
Construction: Superior thermal management with die-cast aluminum housing.
Housing: Precision die-cast aluminum.
Reflector Lens: High-impact, efficient, UV-stabilized polycarbonate.
Mounting: These 12 1/2" NPS condole entry points (2 sides for through-feed and bottom), and 800W template for easy wall mounting.
Ambient Temperature: Suitable for use in 10° F (14° C) ambient temperatures.
Cold Weather Starting: Minimum starting temperature is -40° F (-40° C).
Thermal Management: Superior thermal management with die-cast aluminum housing.
Housing: Precision die-cast aluminum.
Reflector Lens: High-impact, efficient, UV-stabilized polycarbonate.
Mounting: These 12 1/2" NPS condole entry points (2 sides for through-feed and bottom), and 800W template for easy wall mounting.
For use on LEED Buildings: LEED Green Building Accredited means that this fixture can be used within LEED Green Building Accredited.
LED Characteristics: LEDs: 5000K multi-chip, 100% high output, long-life LEDs.
Color Consistency: 3-Step Macadam Close Spacing to achieve consistent beam-to-beam color.
Color Stability: LED color temperature is warranted to drift no more than 2000K CCT over a 5 year period.
Color Uniformity: 100% range of CCT (Consistent Color Temperature) across the footprint of the American National Standards Institute for the Chromaticity of Solid State Lighting (SSL) Products, ANSI C78-371, 2015.
Electrical: Driver: Constant Current, Class 2, 2000mA, 100-277V, 50-60Hz, 1.5A, Power Factor 95%
THD: 1.5% at 120V, 13.5% at 277V
Burge Protection: Nil
Warranty: Five year limited warranty.

WPTLED40/D10/PC2

Project: _____ **Type:** _____
Prepared By: _____ **Date:** _____

Driver Info	LED Info
Type: _____	Watts: 40W
Current: 0.320A	Color Temp: 5000K
Voltage: 240V	Color Accuracy: 78 CRI
Power Factor: 0.97	L70 Life Expectancy: 100,000
Efficiency: 121.76	Lumens: 402
	Beam Spread: 100.1°

Technical Specifications
UL Listing: Suitable for wet locations. Will mount only.
IESNA LM-79 & IESNA LM-80 Testing: Atlas LED luminaires have been tested by an independent laboratory in accordance with IESNA LM-79 and LM-80, and have been awarded the Department of Energy "Lighting Facts" label.
LED Characteristics: Lifespan: 100,000-hour LED lifespan based on IES LM-80 results and TM-21 calculations.
LEDs: Long life, high efficiency outdoor mounting LEDs.
Color Stability: LED color temperature is warranted to drift no more than 2000K CCT over a 5 year period.
Color Uniformity: 100% range of CCT (Consistent Color Temperature) across the footprint of the American National Standards Institute for the Chromaticity of Solid State Lighting (SSL) Products, ANSI C78-371, 2015.
Drivers: Constant Current, Class 2, 500mA, 100-277V, 50-60Hz, 1.02A, 240V, 0.20A, 240V, 0.175A, 277V, 0.147A, Surge Protection: BV
Power Factor: 96.2% at 120V, 93.2% at 277V
THD: 11.9% at 120V, 14.2% at 277V
Dimming Driver: 0-10V dimming driver standard for ultimate flexibility. Use as dimmer or utilize the 0-10V DC dimming circuit for control.
Photocell: Photocell is color for 120V line, 277V, to enable energy save the provide outdoor dusk on and cover.
Optical: Formulated for high-visibility and long-lasting color.
800 Watt: 810-820
Construction: Superior thermal management with die-cast aluminum housing.
Housing: Precision die-cast aluminum.
Reflector Lens: High-impact, efficient, UV-stabilized polycarbonate.
Mounting: These 12 1/2" NPS condole entry points (2 sides for through-feed and bottom), and 800W template for easy wall mounting.
Ambient Temperature: Suitable for use in 10° F (14° C) ambient temperatures.
Cold Weather Starting: Minimum starting temperature is -40° F (-40° C).
Thermal Management: Superior thermal management with die-cast aluminum housing.
Housing: Precision die-cast aluminum.
Reflector Lens: High-impact, efficient, UV-stabilized polycarbonate.
Mounting: These 12 1/2" NPS condole entry points (2 sides for through-feed and bottom), and 800W template for easy wall mounting.
For use on LEED Buildings: LEED Green Building Accredited means that this fixture can be used within LEED Green Building Accredited.
LED Characteristics: LEDs: 5000K multi-chip, 100% high output, long-life LEDs.
Color Consistency: 3-Step Macadam Close Spacing to achieve consistent beam-to-beam color.
Color Stability: LED color temperature is warranted to drift no more than 2000K CCT over a 5 year period.
Color Uniformity: 100% range of CCT (Consistent Color Temperature) across the footprint of the American National Standards Institute for the Chromaticity of Solid State Lighting (SSL) Products, ANSI C78-371, 2015.
Electrical: Driver: Constant Current, Class 2, 2000mA, 100-277V, 50-60Hz, 1.5A, Power Factor 95%
THD: 1.5% at 120V, 13.5% at 277V
Burge Protection: Nil
Warranty: Five year limited warranty.

WALL MOUNTED LIGHT N.T.S.

Project: _____ **Type:** _____
Prepared By: _____ **Date:** _____

Driver Info	LED Info
Type: _____	Watts: 40W
Current: 0.320A	Color Temp: 5000K
Voltage: 240V	Color Accuracy: 78 CRI
Power Factor: 0.97	L70 Life Expectancy: 100,000
Efficiency: 121.76	Lumens: 402
	Beam Spread: 100.1°

Technical Specifications
UL Listing: Suitable for wet locations. Will mount only.
IESNA LM-79 & IESNA LM-80 Testing: Atlas LED luminaires have been tested by an independent laboratory in accordance with IESNA LM-79 and LM-80, and have been awarded the Department of Energy "Lighting Facts" label.
LED Characteristics: Lifespan: 100,000-hour LED lifespan based on IES LM-80 results and TM-21 calculations.
LEDs: Long life, high efficiency outdoor mounting LEDs.
Color Stability: LED color temperature is warranted to drift no more than 2000K CCT over a 5 year period.
Color Uniformity: 100% range of CCT (Consistent Color Temperature) across the footprint of the American National Standards Institute for the Chromaticity of Solid State Lighting (SSL) Products, ANSI C78-371, 2015.
Drivers: Constant Current, Class 2, 500mA, 100-277V, 50-60Hz, 1.02A, 240V, 0.20A, 240V, 0.175A, 277V, 0.147A, Surge Protection: BV
Power Factor: 96.2% at 120V, 93.2% at 277V
THD: 11.9% at 120V, 14.2% at 277V
Dimming Driver: 0-10V dimming driver standard for ultimate flexibility. Use as dimmer or utilize the 0-10V DC dimming circuit for control.
Photocell: Photocell is color for 120V line, 277V, to enable energy save the provide outdoor dusk on and cover.
Optical: Formulated for high-visibility and long-lasting color.
800 Watt: 810-820
Construction: Superior thermal management with die-cast aluminum housing.
Housing: Precision die-cast aluminum.
Reflector Lens: High-impact, efficient, UV-stabilized polycarbonate.
Mounting: These 12 1/2" NPS condole entry points (2 sides for through-feed and bottom), and 800W template for easy wall mounting.
Ambient Temperature: Suitable for use in 10° F (14° C) ambient temperatures.
Cold Weather Starting: Minimum starting temperature is -40° F (-40° C).
Thermal Management: Superior thermal management with die-cast aluminum housing.
Housing: Precision die-cast aluminum.
Reflector Lens: High-impact, efficient, UV-stabilized polycarbonate.
Mounting: These 12 1/2" NPS condole entry points (2 sides for through-feed and bottom), and 800W template for easy wall mounting.
For use on LEED Buildings: LEED Green Building Accredited means that this fixture can be used within LEED Green Building Accredited.
LED Characteristics: LEDs: 5000K multi-chip, 100% high output, long-life LEDs.
Color Consistency: 3-Step Macadam Close Spacing to achieve consistent beam-to-beam color.
Color Stability: LED color temperature is warranted to drift no more than 2000K CCT over a 5 year period.
Color Uniformity: 100% range of CCT (Consistent Color Temperature) across the footprint of the American National Standards Institute for the Chromaticity of Solid State Lighting (SSL) Products, ANSI C78-371, 2015.
Electrical: Driver: Constant Current, Class 2, 2000mA, 100-277V, 50-60Hz, 1.5A, Power Factor 95%
THD: 1.5% at 120V, 13.5% at 277V
Burge Protection: Nil
Warranty: Five year limited warranty.

LEGEND

EXISTING	PROPOSED	DESCRIPTION
○	○	CATCH BASIN
○	○	DRAIN MANHOLE
○	○	SAN. SEWER MANHOLE
○	○	HYDRANT
○	○	DRAIN INLET
○	○	WATER VALVE
○	○	UTILITY POLE
○	○	LIGHT POLE
○	○	TREE
○	○	CONTOUR LINE

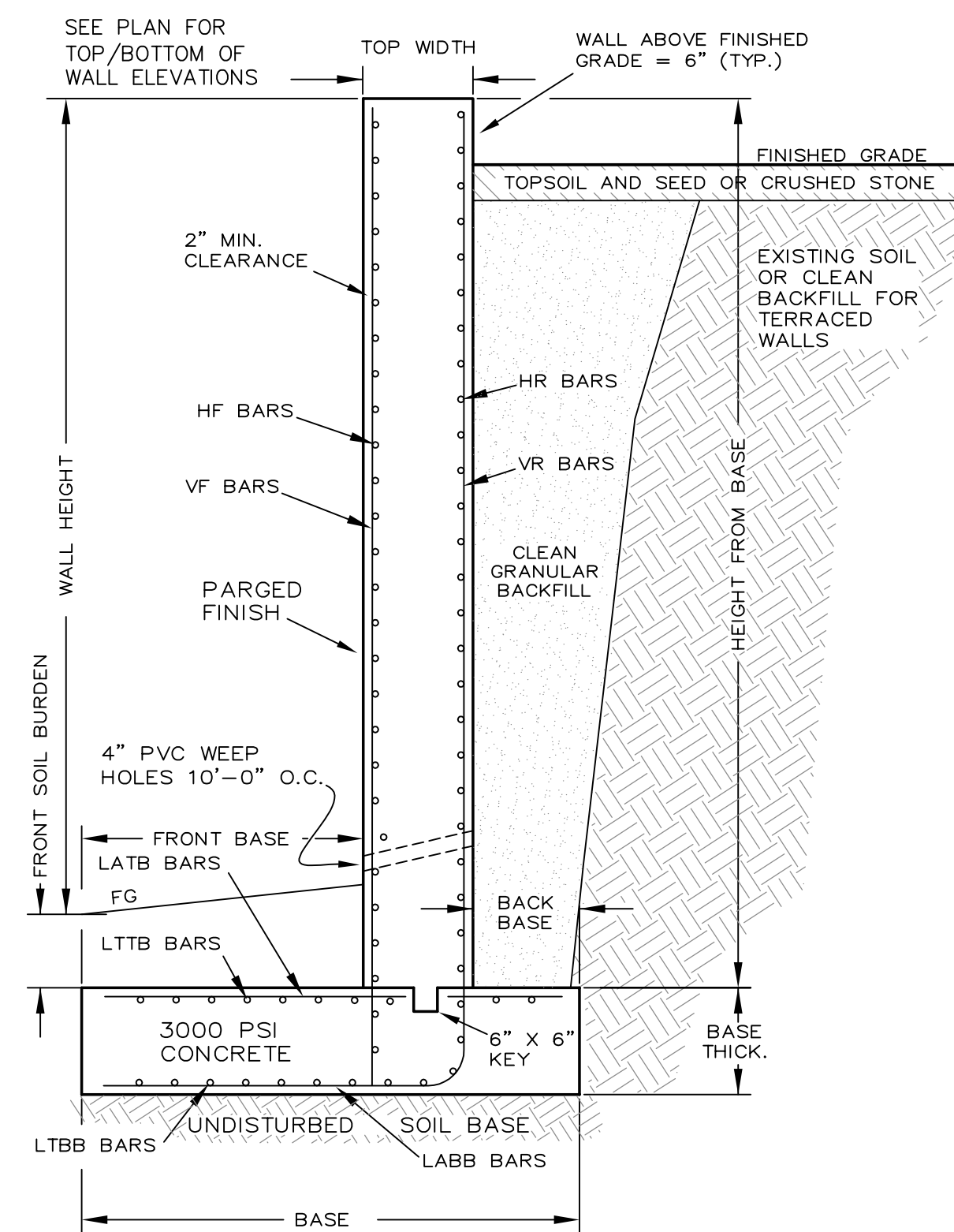
PHOTOMETRIC LEGEND

ILLUMINATION CONTOUR—FOOT CANDLE(S) (Fc)

RALPH G. MASTROMONACO, PE, P.C.
 Consulting Engineers
 13 Dove Court, Croton-on-Hudson, New York 10520
 (914) 271-4762 (914) 271-2820 Fax

PHOTOMETRIC PLAN
 PROPOSED
 CONVENIENCE STORE
 GAS STATION REHABILITATION
 PREPARED FOR
 PALISADES ENTERPRISES, LLC
 ROUTE 6 - E. MAIN ST.
 TOWN OF CORTLANDT
 WESTCHESTER COUNTY, NY
 AUGUST 19, 2020
 SHEET 6 OF 8 SHEETS

Unauthorized alterations or additions to this drawing is a violation of Section 7209 (2) of the New York State Education Law.



FOR VARIOUS WALL HEIGHTS RETAINING WALL DIMENSIONS

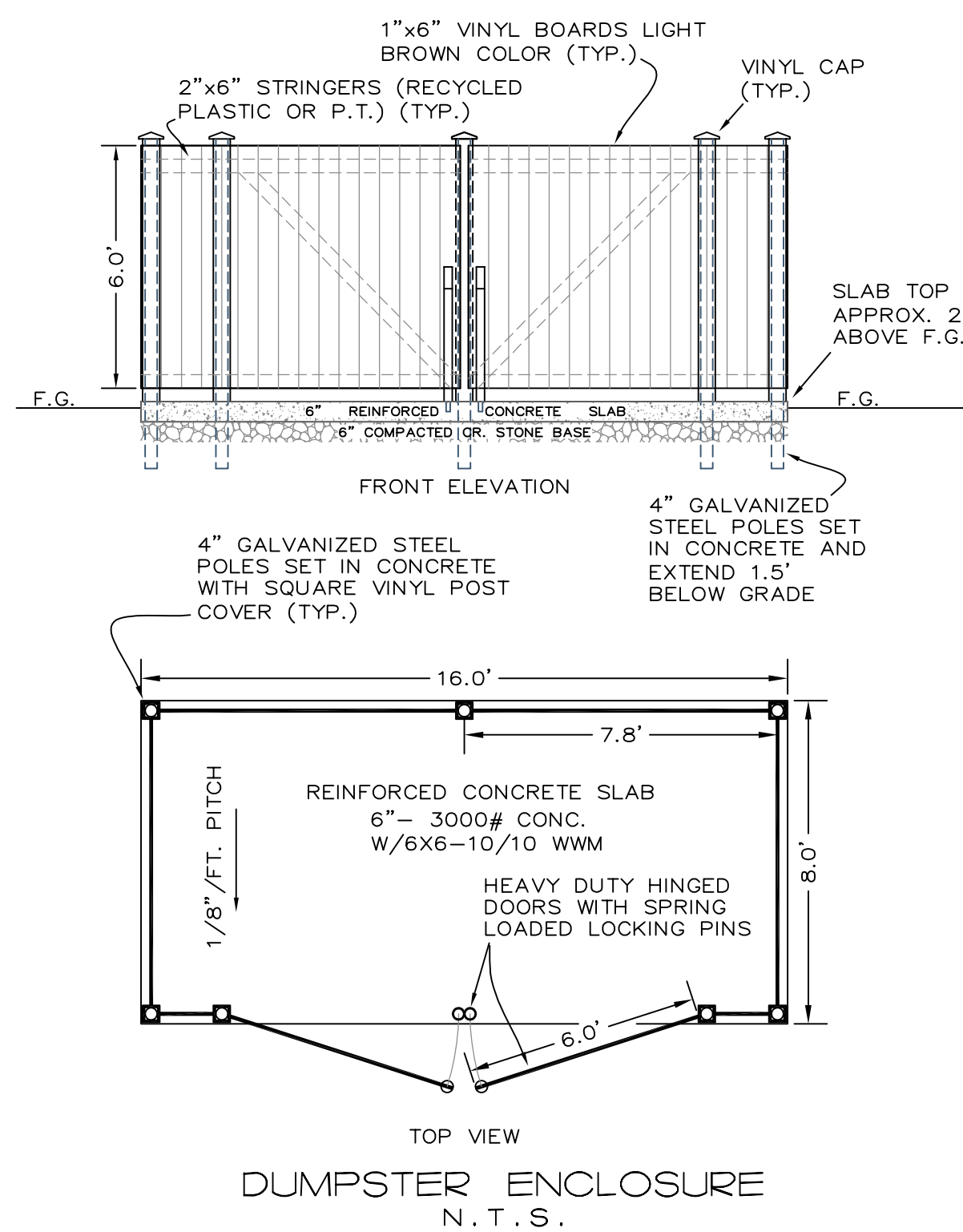
WALL HEIGHT (FT)	HEIGHT OF TOP OF BASE (FT)	TOP WIDTH (FT)	BASE WIDTH (FT)	BACK BASE LENGTH (FT)	FRONT BASE LENGTH (FT)	BASE LENGTH (FT)
12.0	14.0	1.0	1.0	4.0	3.0	8.0
8.0	10.5	1.0	1.5	3.0	2.0	6.0
4.0	7.0	1.0	1.0	2.5	1.5	5.0

REINFORCEMENT BAR SCHEDULE FOR VARIOUS WALL HEIGHTS

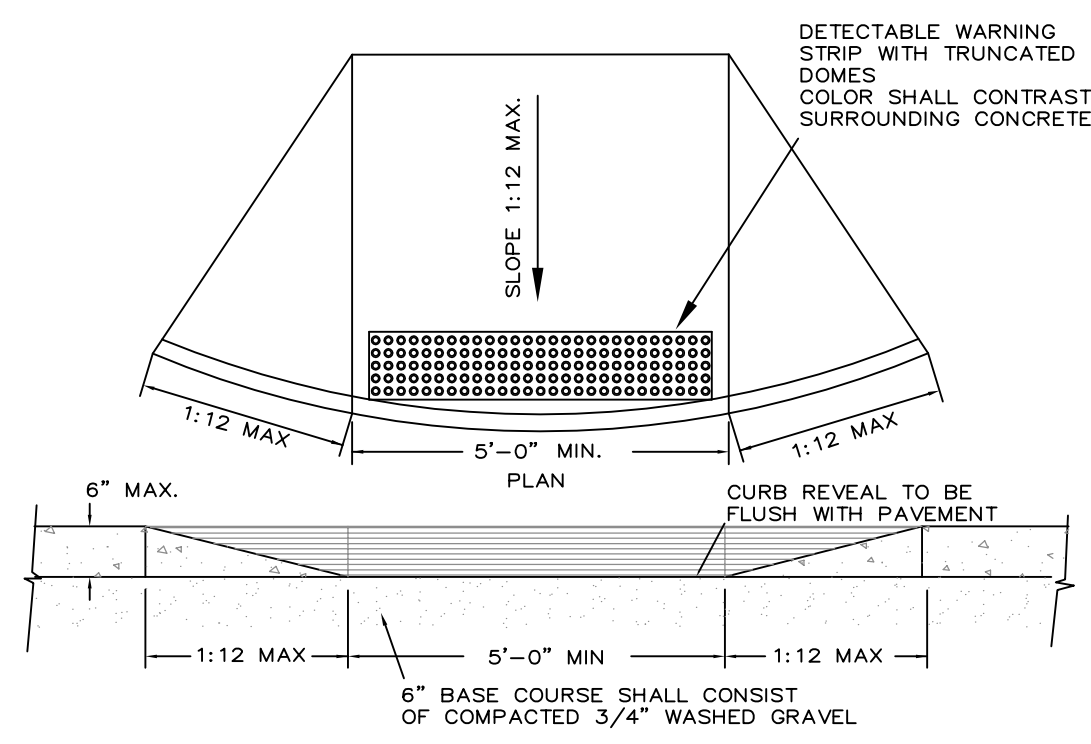
FRONT WALL HEIGHT (FT)	VF	HR	VR	LTBB	LTBB	LABB	LABB
12.0'	#6-12"	#4-8"	#4-8"	#7-6"	#4-10"	#6-12"	#4-10"
8.0'	#6-12"	#4-10"	#4-10"	#6-8.5"	#4-14"	#6-12"	#4-14"
4.0'	#6-16"	#4-12"	#4-12"	#4-8.5"	#3-18"	#6-16"	#3-18"

NOTE: ALTERNATE VR BARS MAY BE CUT AT 1/2 HEIGHT OF WALL

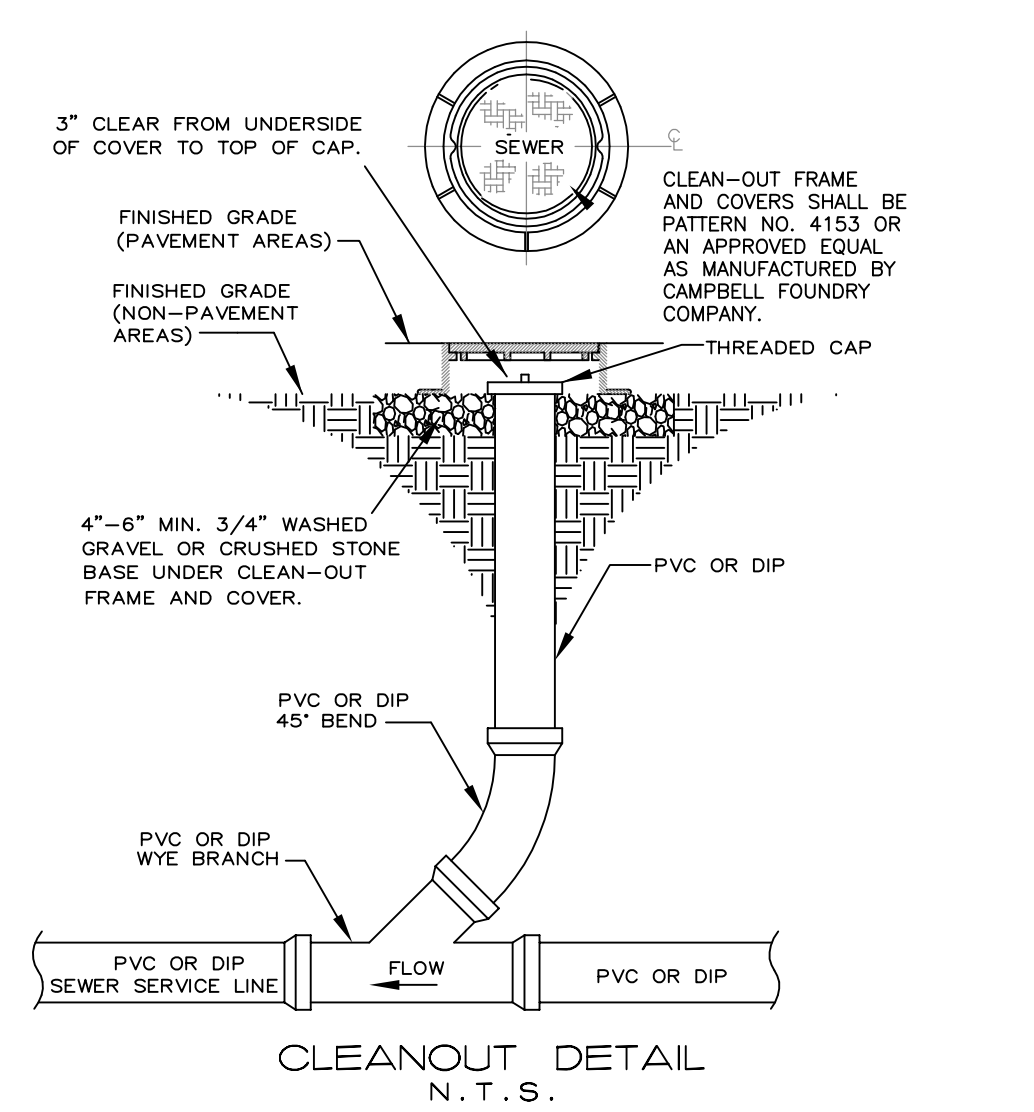
RETAINING WALL STRUCTURAL DETAILS N.T.S.



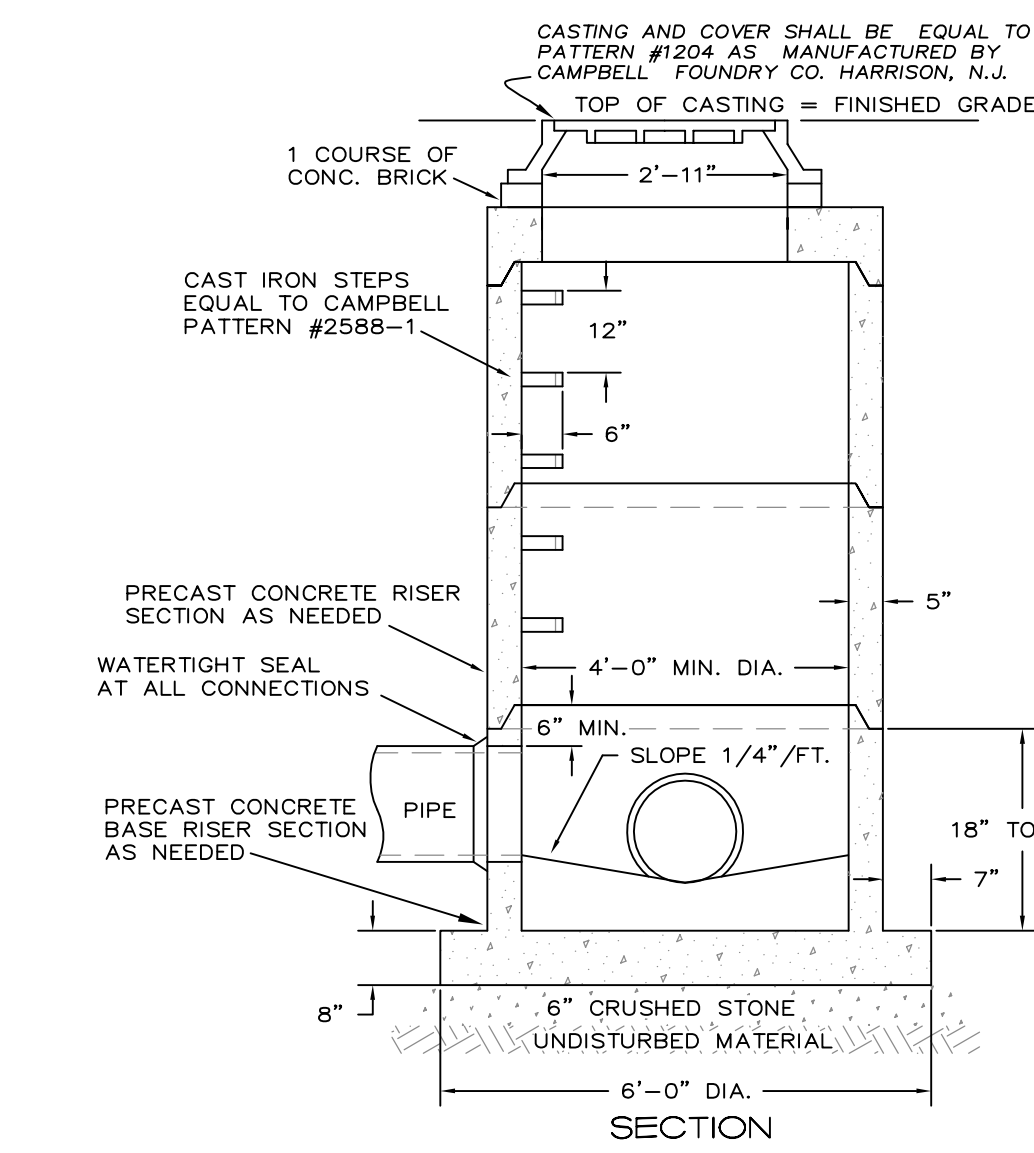
DUMPSTER ENCLOSURE N.T.S.



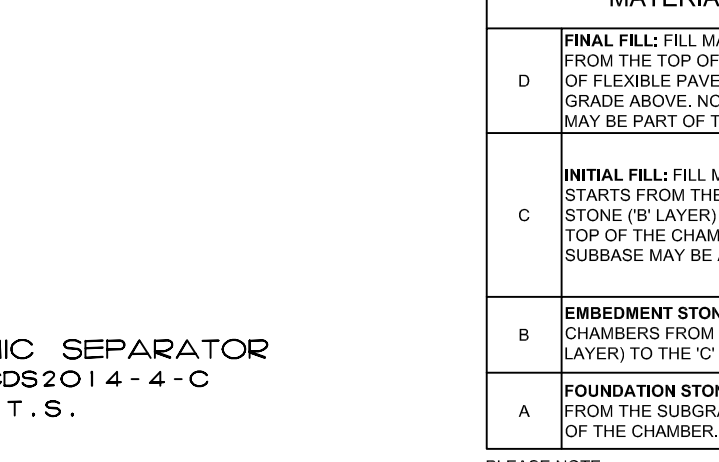
SIDEWALK RAMP N.T.S.



CLEANOUT DETAIL N.T.S.

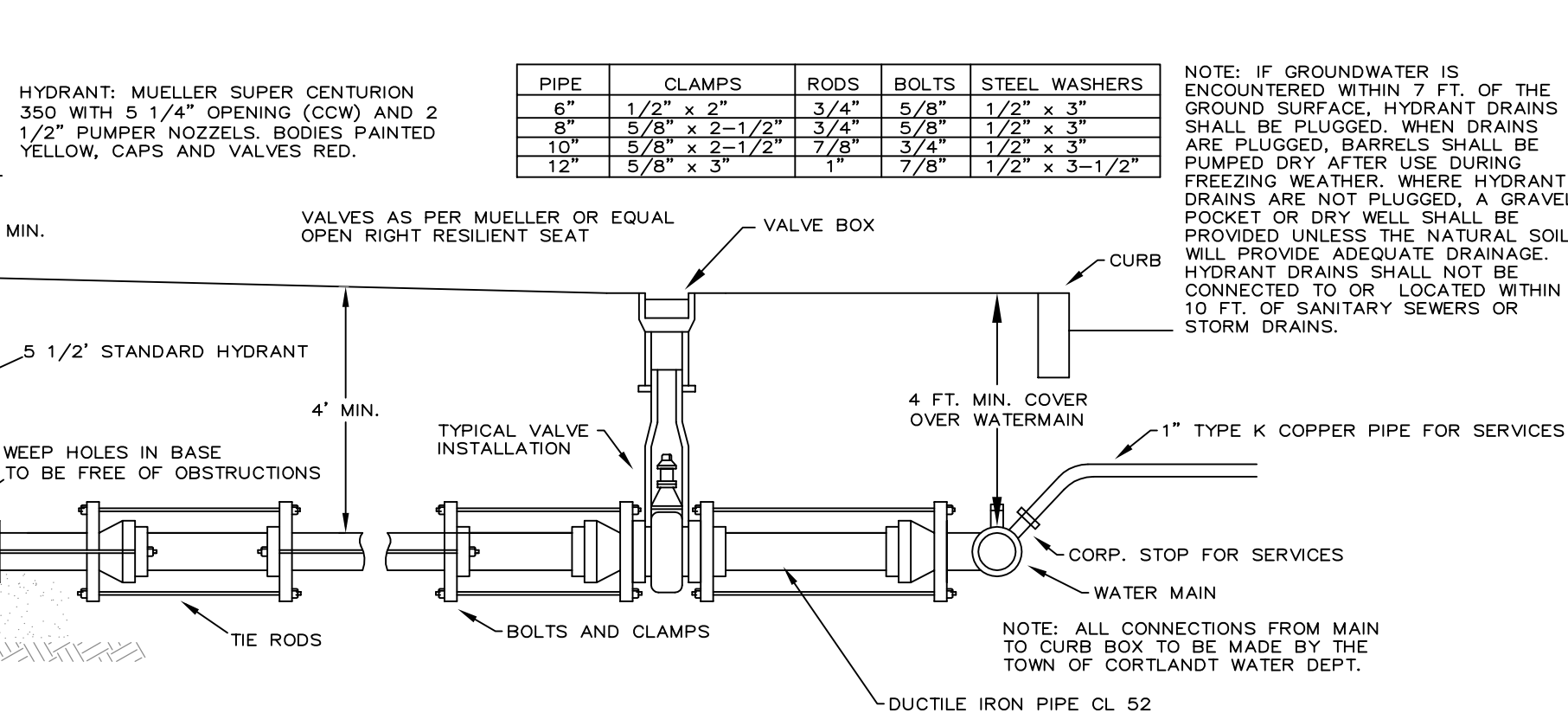


SEWER/DRAIN MANHOLE N.T.S.

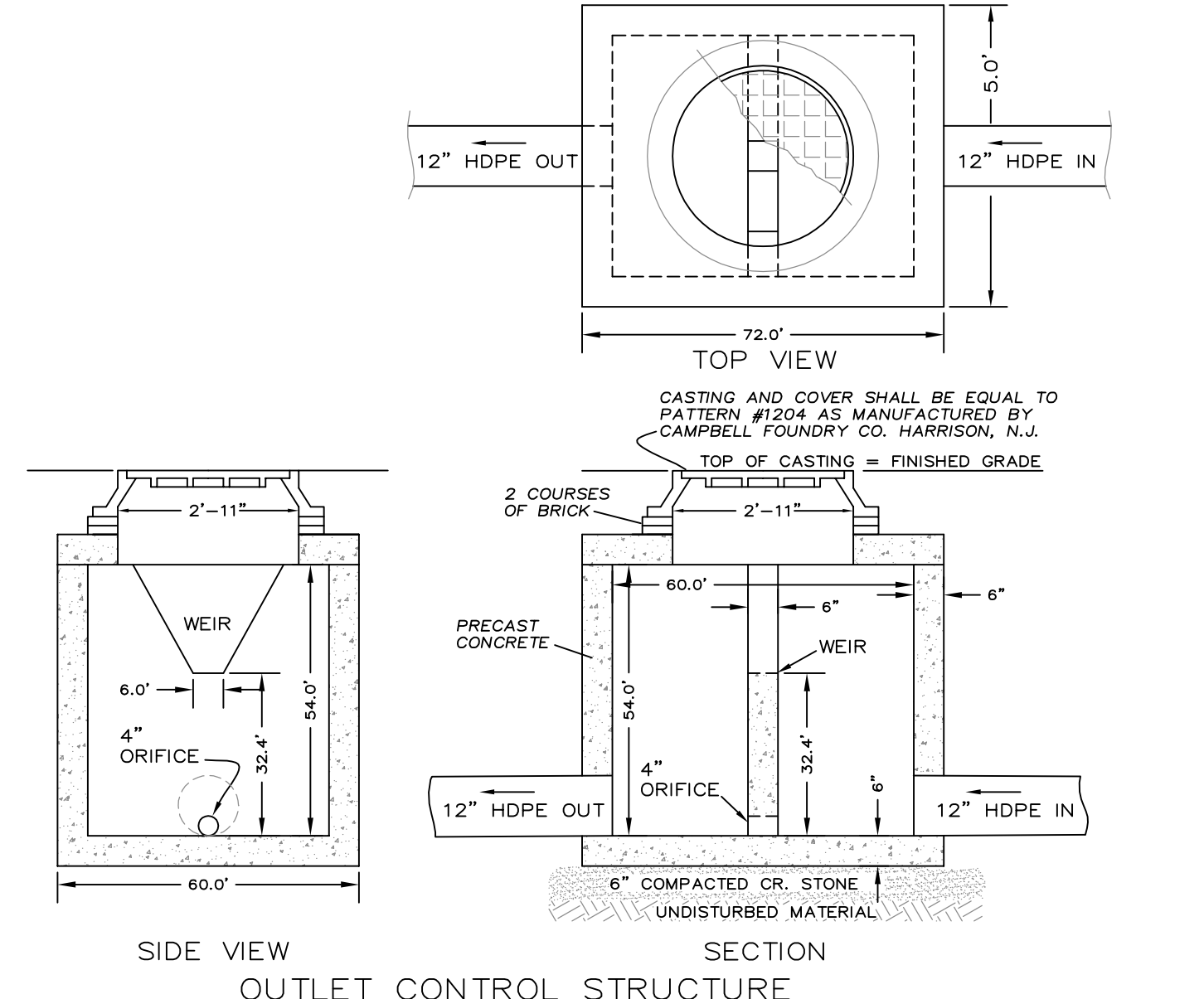


HYDRODYNAMIC SEPARATOR CONTECH CDS021 4'-4'-C N.T.S.

GENERAL NOTES
 1. CONTECH TO PROVIDE ALL MATERIALS UNLESS NOTED OTHERWISE
 2. CDS WATER QUALITY STRUCTURE SHALL BE IN ACCORDANCE WITH ALL DESIGN DATA AND INFORMATION CONTAINED IN THIS DRAWING.
 3. STRUCTURE SHALL MEET ASHOTO H200 AND CASTINGS SHALL MEET H200 (ASHTO M 306) LOAD RATING, ASSUMING GROUNDWATER ELEVATION AT, OR BELOW, THE OUTLET PIPE INVERT ELEVATION/ENGINEER OF RECORD TO CONFIRM ACTUAL GROUNDWATER ELEVATION.
 4. PVC HYDRAULIC SHEAR PLATE IS PLACED ON SHELF AT BOTTOM OF RECORD CYLINDER REMOVE AND REPLACE AS NECESSARY DURING MAINTENANCE CLEANING.
 INSTALLATION NOTES
 A. ANY SUBBASE BACKFILL DEPTH AND/OR ANTI-FLOTATION PROVISIONS ARE SITE-SPECIFIC DESIGN CONSIDERATIONS AND SHALL BE SPECIFIED BY ENGINEER OF RECORD
 B. CONTRACTOR TO PROVIDE EQUIPMENT WITH SUFFICIENT LIFTING AND REACH CAPACITY TO LIFT AND SET THE CDS MANHOLE STRUCTURE (LIFTING CLUTCHES PROVIDED).
 C. CONTRACTOR TO ADD JOINT SEALANT BETWEEN ALL STRUCTURE SECTIONS, AND ASSEMBLE STRUCTURE.
 D. CONTRACTOR TO PROVIDE, INSTALL, AND GROUT PIPES/MATCH PIPE INVERTS WITH ELEVATIONS SHOWN.
 E. CONTRACTOR TO TAKE APPROPRIATE MEASURES TO ASSURE UNIT IS WATER TIGHT, HOLDING WATER TO FLOWLINE INVERT MINIMUM IT IS SUGGESTED THAT ALL JOINTS BELOW PIPE INVERTS ARE GROUTED.



WATER CONNECTIONS SECTION N.T.S.

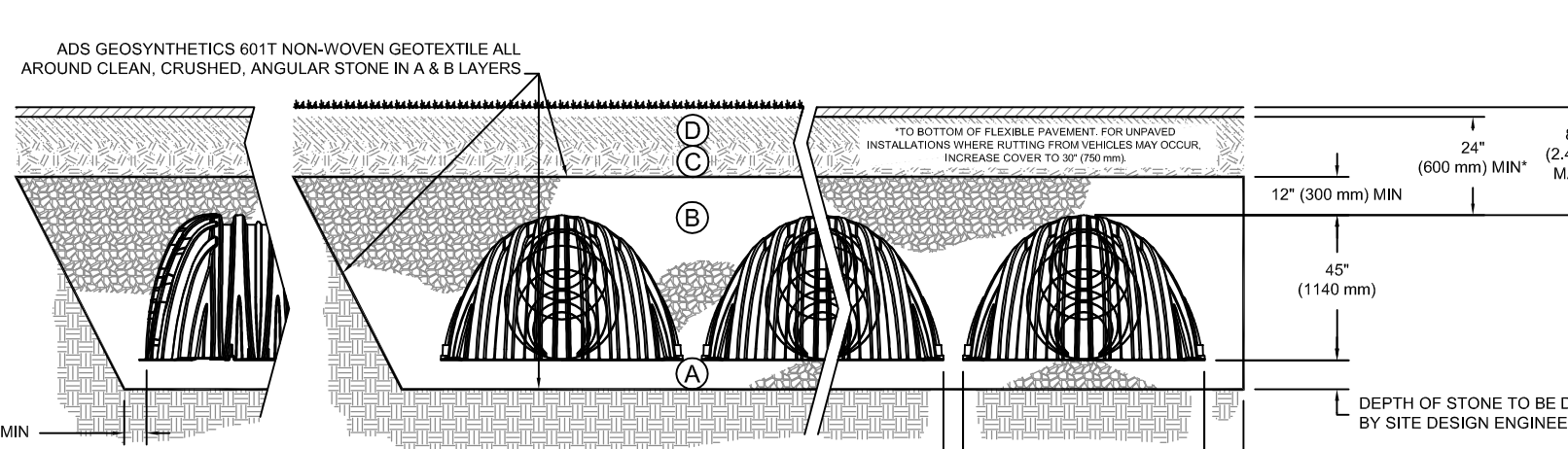


OUTLET CONTROL STRUCTURE N.T.S.

ACCEPTABLE FILL MATERIALS: STORMTECH MC-3500 CHAMBER SYSTEMS

MATERIAL LOCATION	DESCRIPTION	ASHTO MATERIAL CLASSIFICATIONS	COMPACTION / DENSITY REQUIREMENT
D	FINAL FILL MATERIAL FOR LAYER 'D' STARTS FROM THE TOP OF THE 'C' LAYER TO THE BOTTOM OF FLEEBE PAVEMENT OR UNPAVED FINISHED GRADE. NOTE THAT PAVEMENT SUBBASE MAY BE PART OF THIS LAYER.	ANY SOIL/ROCK MATERIALS, NATIVE SOILS, OR PER ENGINEER'S PLAN. CHECK PLANS FOR PAVEMENT SURFACE REQUIREMENTS.	N/A PREPARE PER SITE DESIGN ENGINEER'S PLANS. PAVED INSTALLATIONS MAY HAVE STRINGENT MATERIAL AND PREPARATION REQUIREMENTS.
C	INITIAL FILL MATERIAL FOR LAYER 'C' STARTS FROM THE TOP OF THE EMBEDED STONE TO LAYER 'D' TO 18\"/>		

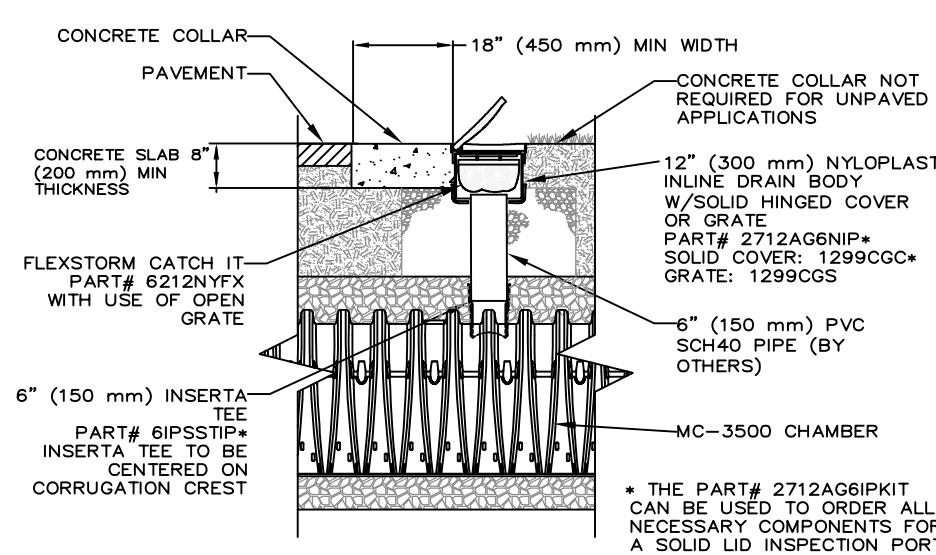
RELEASE NOTES
 1. THE LISTED ASHTO DESIGNATIONS ARE FOR GRADATIONS ONLY. THE STONE MUST ALSO BE CLEAN, CRUSHED, ANGULAR. FOR EXAMPLE, A SPECIFICATION FOR A STONE SHOULD STATE: "CLEAN, CRUSHED, ANGULAR NO. 4 (ASHTO M 33) STONE".
 2. GEOTECHNICAL REQUIREMENTS ARE MET FOR A LOCATION MATERIALS WHEN PLACED AND COMPACTED IN 12\"/>



- GENERAL NOTES:
- THE CONTRACTOR SHALL LOCATE AND VERIFY IN THE FIELD ALL UTILITIES - GAS, WATER, ELECTRICAL, BEFORE THE START OF CONSTRUCTION. CONTRACTOR SHALL CALL CODE 753 (FORMERLY CODE 53).
 - THE INSTALLATION OF WATER AND SEWER SHALL BE UNDER THE DIRECTION OF A N.Y. STATE LICENSED PROFESSIONAL ENGINEER.
 - AS BUILT PLANS SHALL BE REQUIRED AND CERTIFIED BY A N.Y. STATE LICENSED PROFESSIONAL ENGINEER OR SURVEYOR.
 - ALL PROPERTY DISTURBED IN THE R.O.W. OR ON PRIVATE LANDS, SHALL BE RESTORED TO NEW CONDITIONS.
 - THE CONTRACTOR SHALL BE RESPONSIBLE FOR ALL APPLICATIONS AND PERMITS REQUIRED FOR CONSTRUCTION.
 - THE ROAD AND UTILITIES SHALL BE STAKED IN THE FIELD BY A N.Y. STATE LICENSED SURVEYOR OR ENGINEER.
 - UNDERGROUND GAS AND ELECTRIC SHALL BE AS REQUIRED BY THE TOWN AND SOA DESIGN.
 - TELEPHONE AND CABLE LINES TO BE UNDERGROUND.
 - WATER SERVICE CONNECTION SHALL BE AS REQUIRED BY THE GOVERNING WATER DEPARTMENT.
 - ALL DRAINAGE PIPE TO BE HDPE UNLESS OTHERWISE NOTED.
 - ALL GRADED SLOPES SHALL NOT EXCEED 1 VERTICAL ON 2 HORIZONTAL UNLESS OTHERWISE APPROVED BY THE TOWN ENGINEER.
 - ALL STRUCTURES TO BE PLACED IN PAVED AREAS SHALL BE DESIGNED FOR H-20 LOADING.
 - STRUCTURE NOT LOCATED IN A FEMA FLOOD ZONE AS SHIPPED ON THE FEMA FIRM PANEL.
 - REFUSE TO BE PRIVATELY CARTED.

EROSION AND SEDIMENT CONTROL NOTES

- EROSION CONTROL MEASURES SHALL BE INSTALLED PRIOR TO THE START OF CONSTRUCTION AND MAINTAINED IN EFFECTIVE CONDITION THROUGHOUT THE CONSTRUCTION PERIOD.
- ALL EROSION AND SEDIMENTATION CONTROL MEASURES AND PROCEDURES SHALL COMPLY WITH THE STANDARDS AND SPECIFICATIONS OF THE NEW YORK STATE DEPARTMENT OF ENVIRONMENTAL CONSERVATION EROSION AND SEDIMENT CONTROL GUIDELINES FOR NEW DEVELOPMENT.
- PRIOR TO ANY EXCAVATION, HAY BALES/SILT FENCE SHALL BE INSTALLED AT APPROPRIATE LOCATIONS NOTED ON EROSION CONTROL PLAN. HAYBALES/SILT FENCING SHALL BE INSTALLED AS DIRECTED BY THE OWNER'S REPRESENTATIVE IN THE FIELD AND INSTALLED AS PER THE INSTRUCTIONS OF THE MANUFACTURER. ADDITIONAL HAYBALES/SILT FENCE MAY BE PLACED BY THE OWNER'S REPRESENTATIVE IN THE FIELD. HAYBALES/SILT FENCING SHALL BE MAINTAINED IN OPERABLE CONDITION AND SHALL NOT BE REMOVED UNTIL DISTURBED AREAS ARE THOROUGHLY STABILIZED.
- ALL EROSION AND SEDIMENTATION CONTROL MEASURES AND PROCEDURES SHALL COMPLY WITH THE STANDARDS AND SPECIFICATIONS OF THE NEW YORK STATE DEPARTMENT OF ENVIRONMENTAL CONSERVATION EROSION AND SEDIMENT CONTROL GUIDELINES FOR NEW DEVELOPMENT.
- PRIOR TO ANY EXCAVATION, HAY BALES/SILT FENCE SHALL BE INSTALLED AT APPROPRIATE LOCATIONS NOTED ON EROSION CONTROL PLAN. HAYBALES/SILT FENCING SHALL BE INSTALLED AS DIRECTED BY THE OWNER'S REPRESENTATIVE IN THE FIELD AND INSTALLED AS PER THE INSTRUCTIONS OF THE MANUFACTURER. ADDITIONAL HAYBALES/SILT FENCE MAY BE PLACED BY THE OWNER'S REPRESENTATIVE IN THE FIELD. HAYBALES/SILT FENCING SHALL BE MAINTAINED IN OPERABLE CONDITION AND SHALL NOT BE REMOVED UNTIL DISTURBED AREAS ARE THOROUGHLY STABILIZED.
- IMMEDIATELY TOPSOIL & SEED WITH A MIXTURE OF PERENNIAL RYE GRASS, ANNUAL RYE GRASS AND WINTER RYE AND MULCH WITH 6\"/>

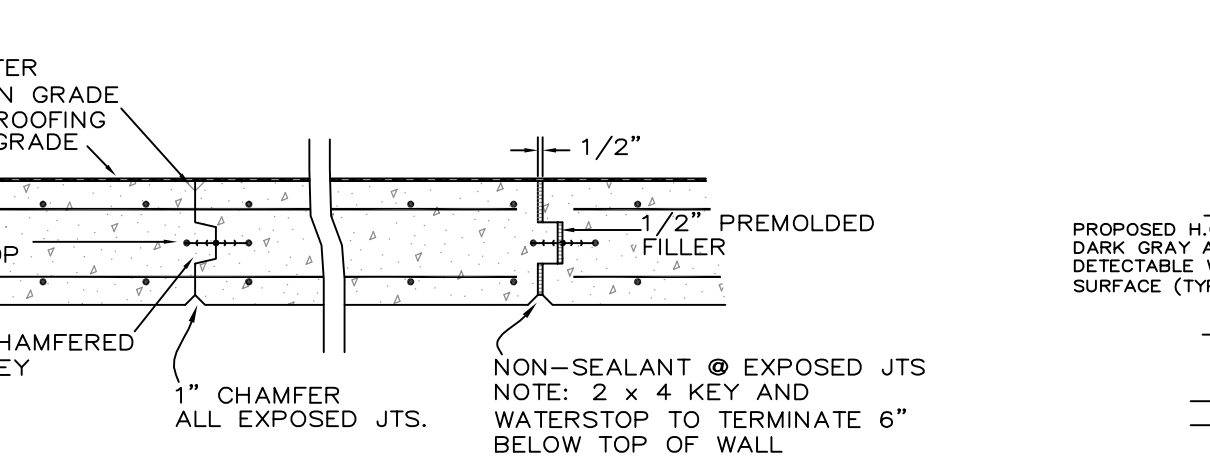


MC-3500 6\"/>

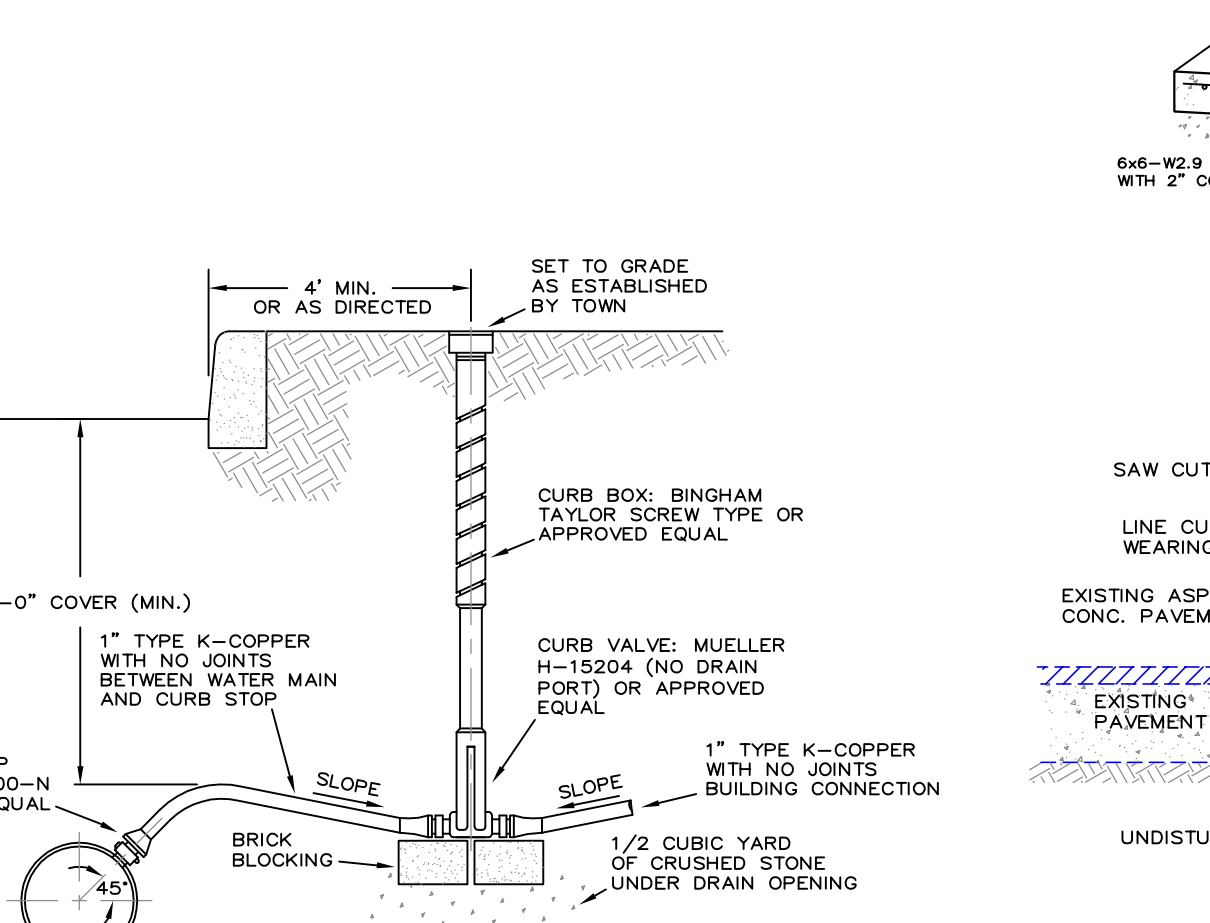


RALPH G. MASTROMONACO, P.E., P.C.
 Consulting Engineers
 13 Dove Court, Croton-on-Hudson, New York 10520
 (914) 271-4762 (914) 271-2820 Fax

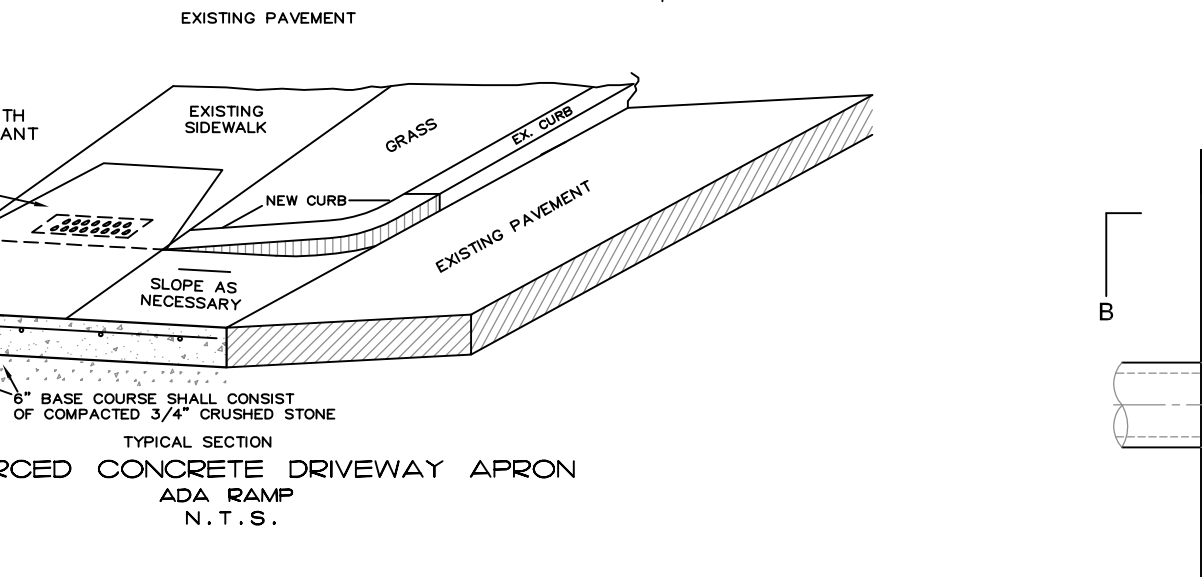
DETAILS/NOTES
 PROPOSED
 CONVENIENCE STORE
 GAS STATION REHABILITATION
 PREPARED FOR
 PALISADES ENTERPRISES, LLC
 ROUTE 6 - E. MAIN ST.
 TOWN OF CORTLANDT
 WESTCHESTER COUNTY, NY
 APRIL 22, 2020
 SHEET 8 OF 8 SHEETS



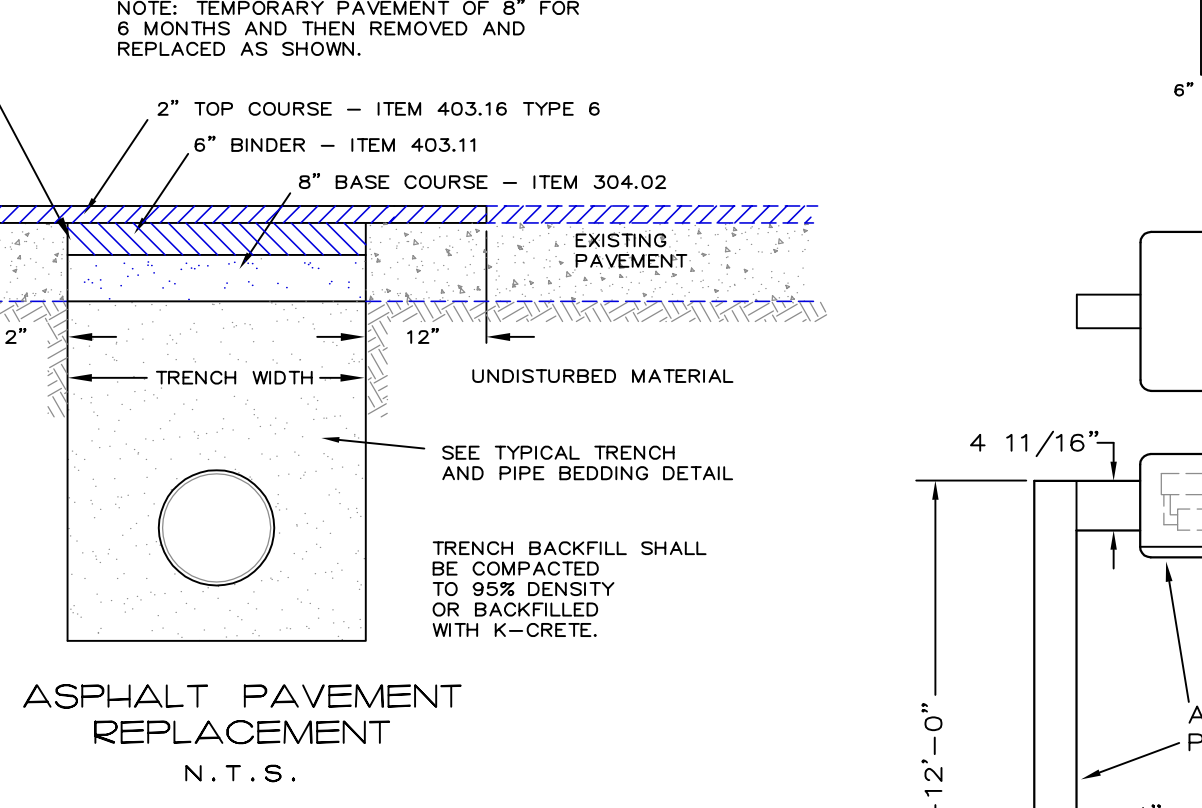
RETAINING WALL CONSTRUCTION/EXPANSION JOINT DETAILS N.T.S.



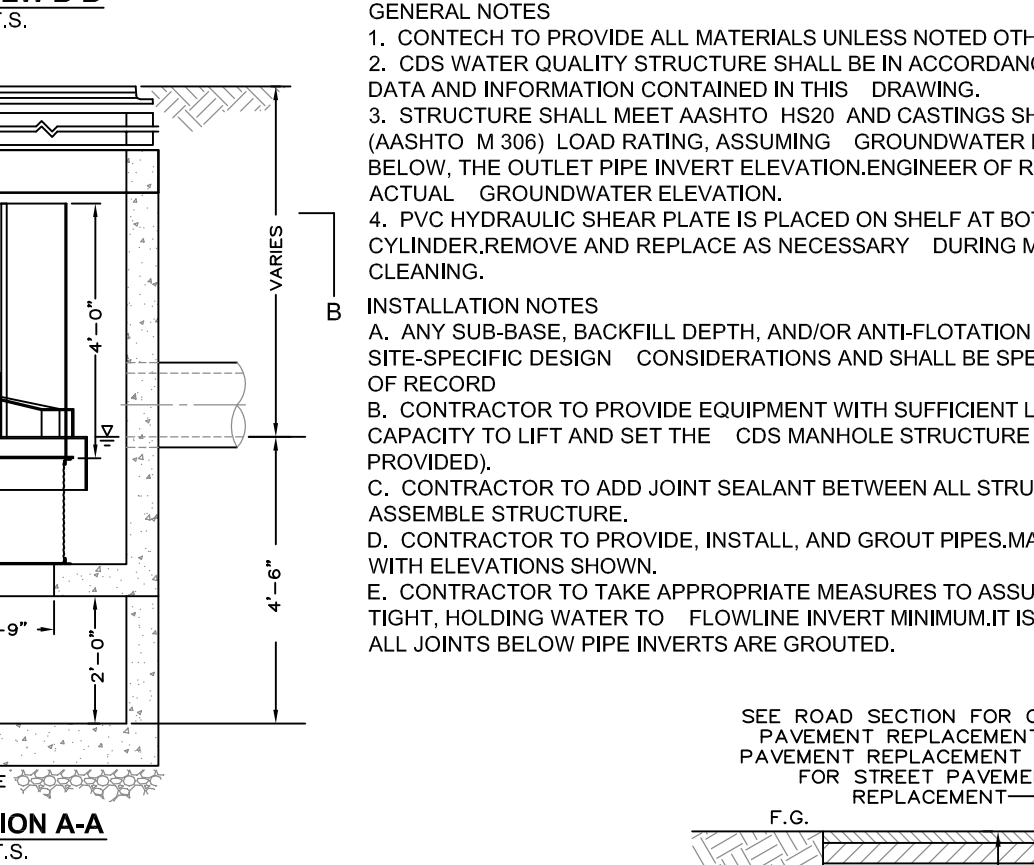
WATER SERVICE CONNECTION DETAIL N.T.S.



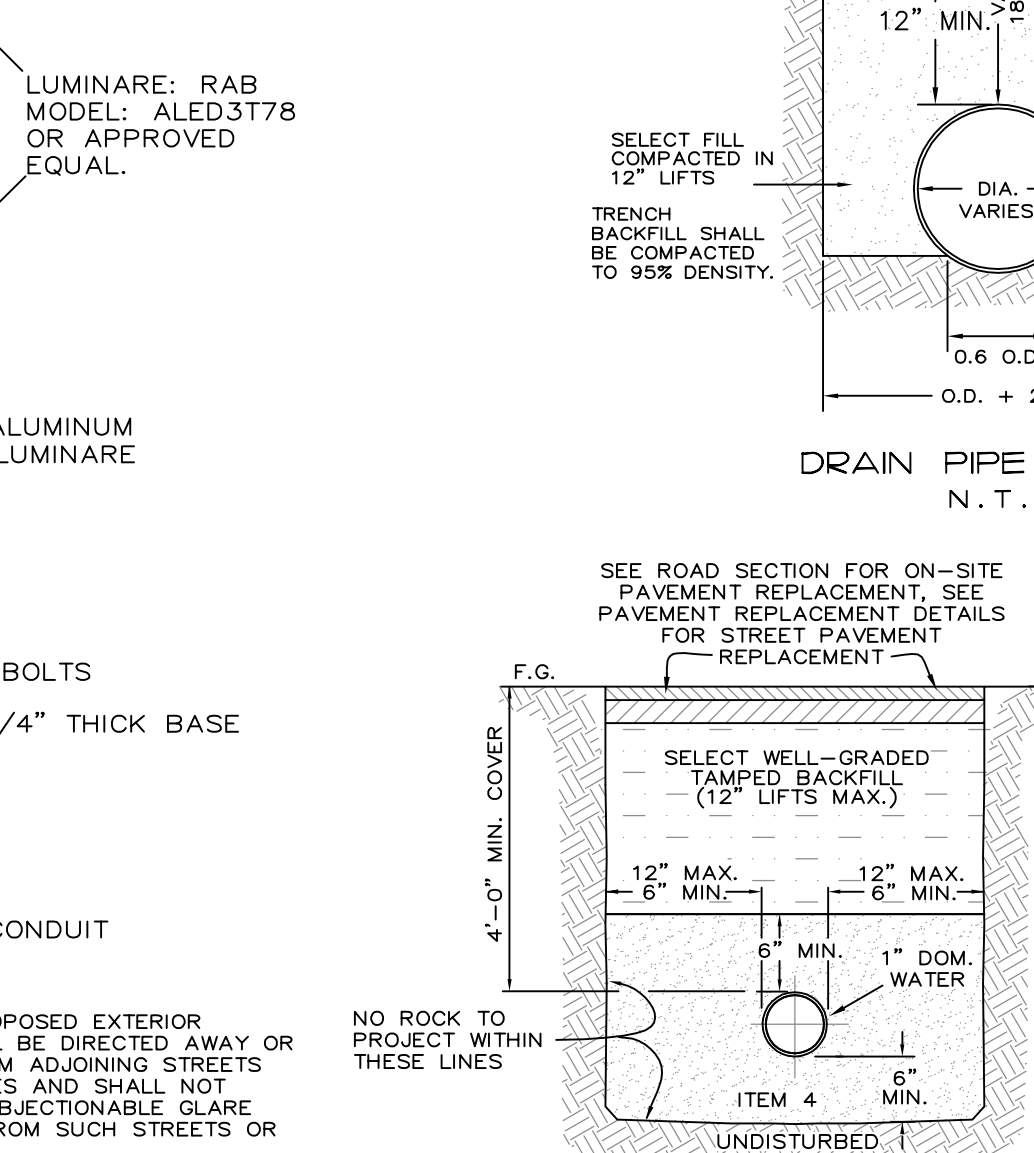
REINFORCED CONCRETE DRIVEWAY APRON N.T.S.



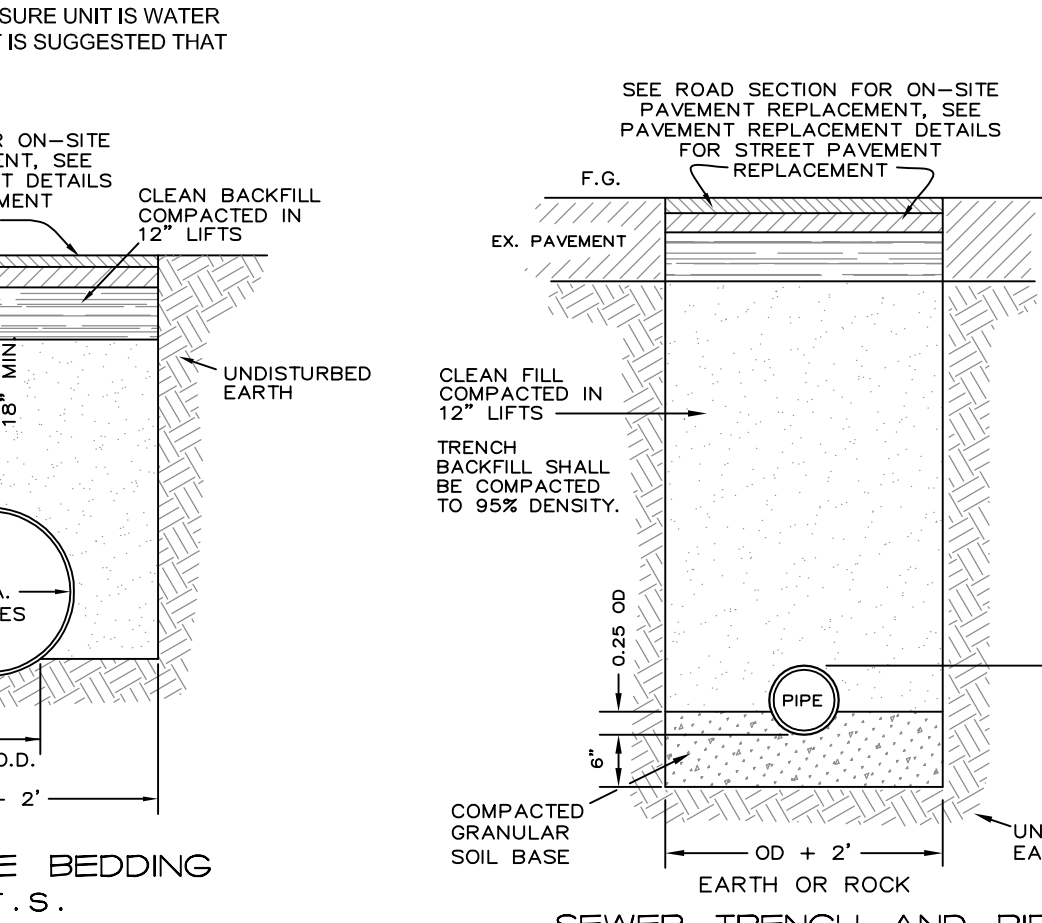
ASPHALT PAVEMENT REPLACEMENT N.T.S.



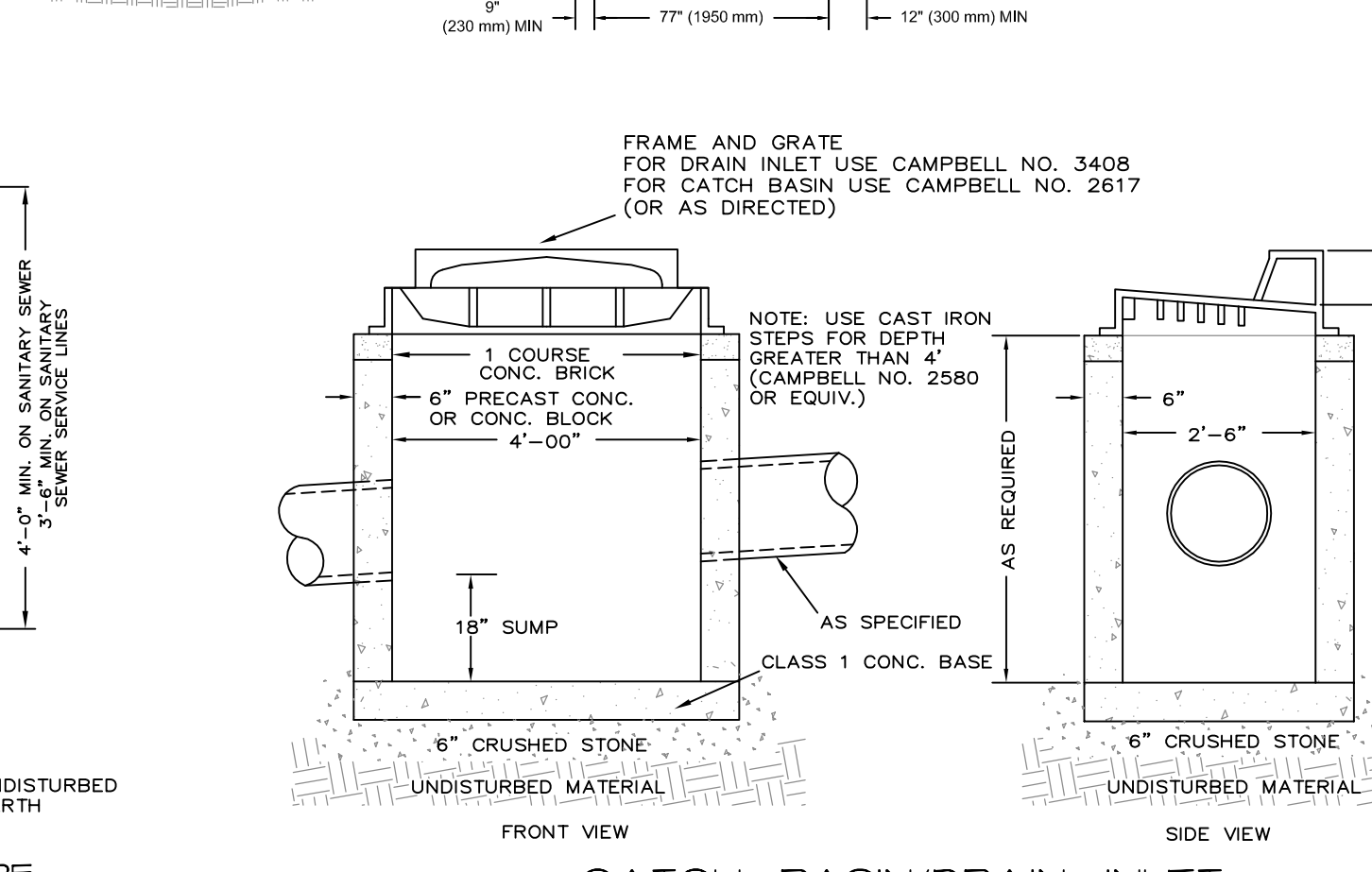
DRAIN PIPE BEDDING N.T.S.



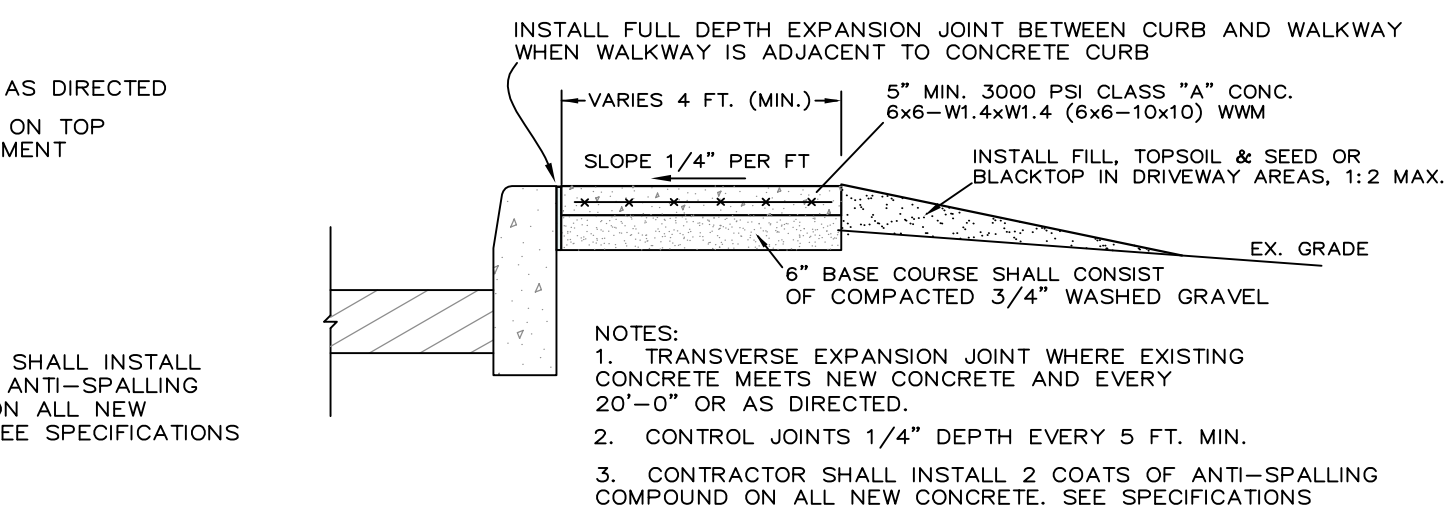
SEWER TRENCH AND PIPE BEDDING DETAIL N.T.S.



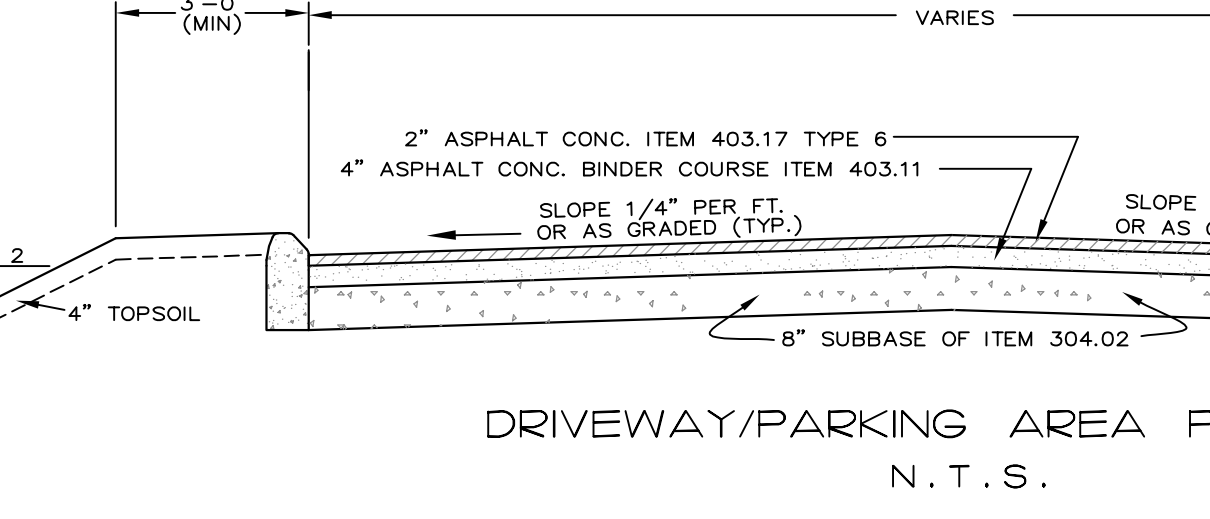
CATCH BASIN/DRAIN INLET N.T.S.



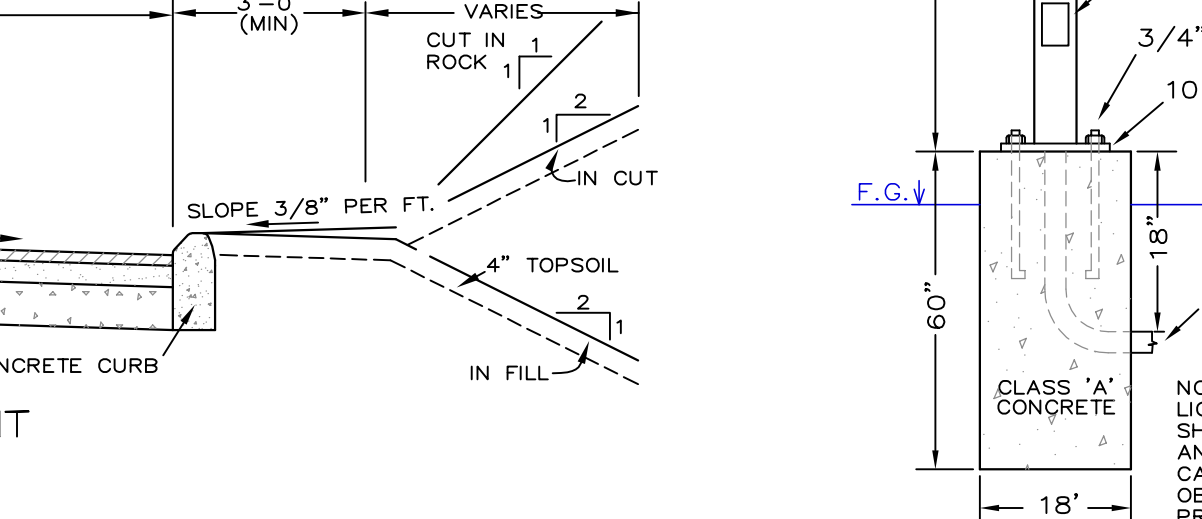
CONCRETE CURB N.T.S.



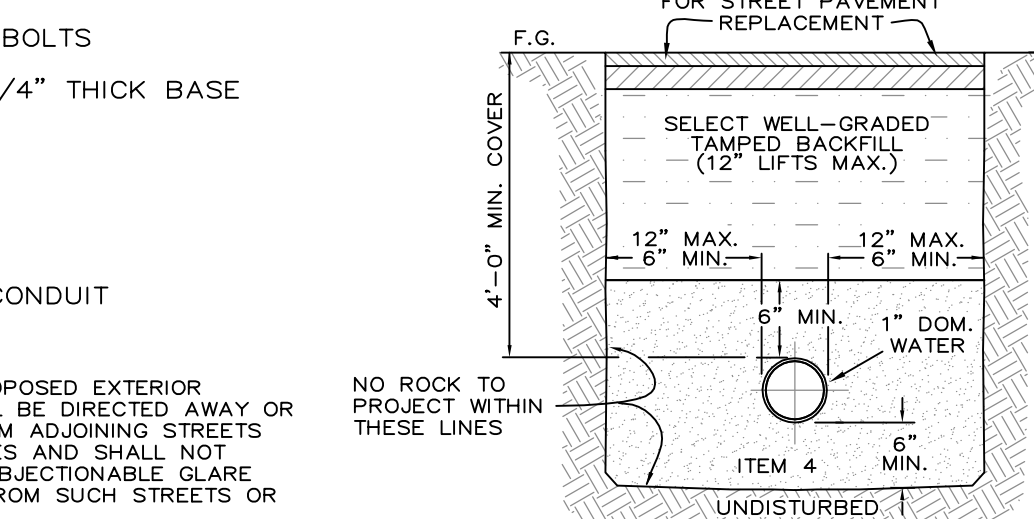
CONCRETE SIDEWALK N.T.S.



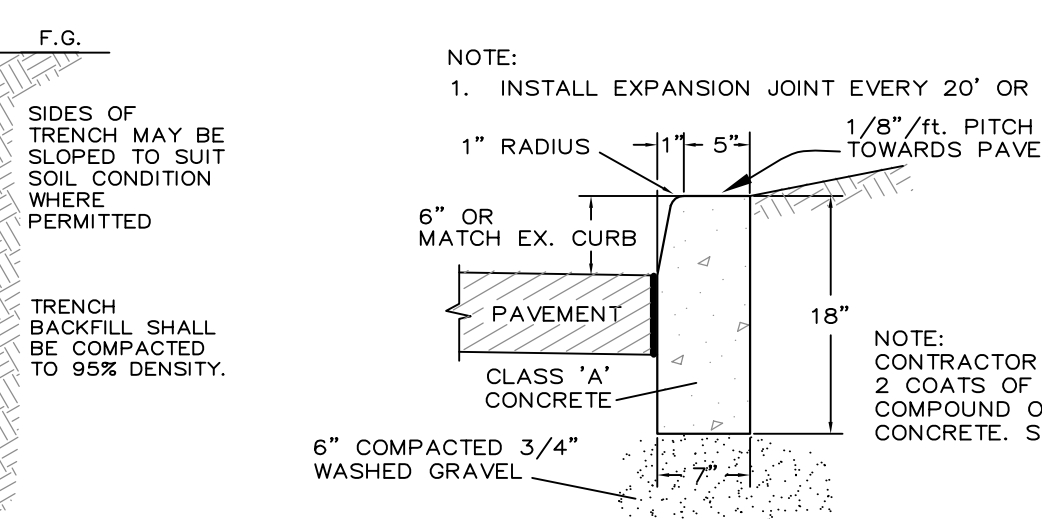
DRIVEWAY/PARKING AREA PAVEMENT N.T.S.



WATER SERVICE BEDDING N.T.S.



CONCRETE CURB N.T.S.



CONCRETE SIDEWALK N.T.S.

Unauthorized alterations or additions to this drawing is a violation of Section 7209 (2) of the New York State Education Law.

REVISED: AUGUST 19, 2020