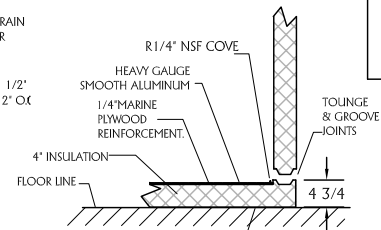
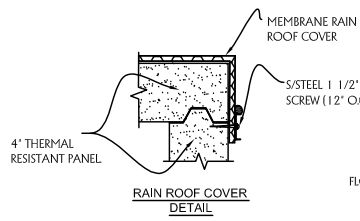
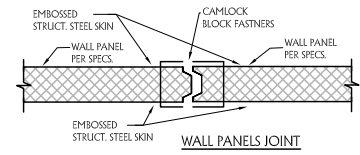
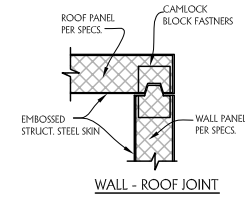
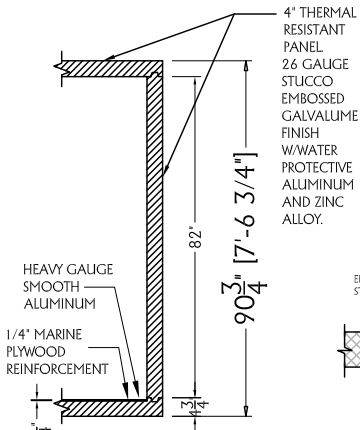


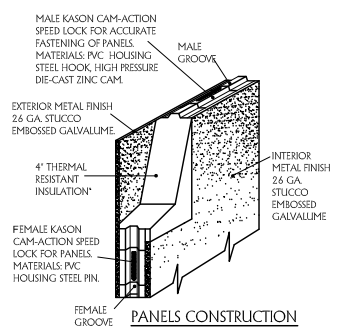
REFERENCE NUMBER
QUOTE #:39541



NOTES: 1.- CEILING PANELS ARE SPLIT, INTERIOR COLUMN ARE REQUIRED AND SUPPLIED BY OTHERS (NOT SUPPLIED BY MR WINTER)
 2.- FLOOR PANELS ARE SPLIT

NOTICE
 This is an approval drawing. Fabrication will not begin until the engineering dept. receives the drawing dated and signed as approved.
 DATE SENT: **09-03-2020 REVISED**
 APPROVED BY: _____
 DATE APPROVED: _____
 THANK YOU - Engineering Dept.

SPECIFICATIONS	
BOX CONSTRUCTION	CAM LOCK SYSTEM
	NSF LISTED
INSULATIONS	COOLER INSULATIONS 4" Thermal Resistant Panel* *R-Value .292 / ASTM Test C-518 Flame spread and smoke development 15/250 ASTM Test E84 EISA OF 2007 & US D.O.E Certified Compliant. FREEZER INSULATIONS 4" Thermal Resistant Panel* *R-Value .34 / ASTM Test C-518 Flame spread and smoke development 15/250 ASTM Test E84 EISA OF 2007 & US D.O.E Certified Compliant.
	DOOR
FLOOR	COOLER & FREEZER Prefabricate Insulated System Floor 1/4" Marine Plywood Reinforcement
ACCESSORIES	Rain Roof Cover System
FINISH	<u>Interior and Exterior Wall & Ceiling</u> Standard 26 Gauge Stucco Embossed Galvalume Finish With A Weather Protective Aluminum And Zinc Alloy
	<u>Interior Floor</u> .050 ga SMOOTH ALUMINUM
	<u>Exterior Floor</u> Standard 26 Gauge Stucco Embossed Galvalume Finish With A Weather Protective Aluminum And Zinc Alloy



Your order is a **NON-returnable order** since you have ordered Special Order/Built to Order units that are ordered from the manufacturer directly and not stocked in our warehouse. Please be sure to confirm the specifications and sizing for the item you've ordered. Special order products are not cancellable or returnable. Please respond back to this email to confirm that you understand. Thank you

JOB No: JA-12132019	CUST. P.O. No:39541
KITCHENALL	SCALE: N.T.S.
COMBO COOLER COOLER & FREEZER WITH FLOOR & 1/4R/F FLOOR	
FINISH: S. E. ACRYLUME FIN.	
19'-6" x 21'-6" x 7'-6 3/4" (H)	NSF LISTED
# OF PANELS: XX	SQ. FT.: XXX