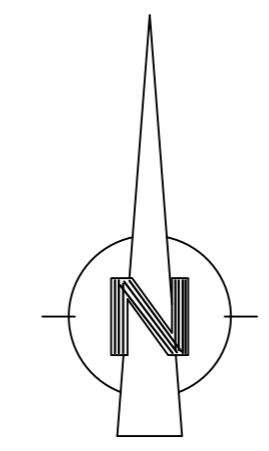


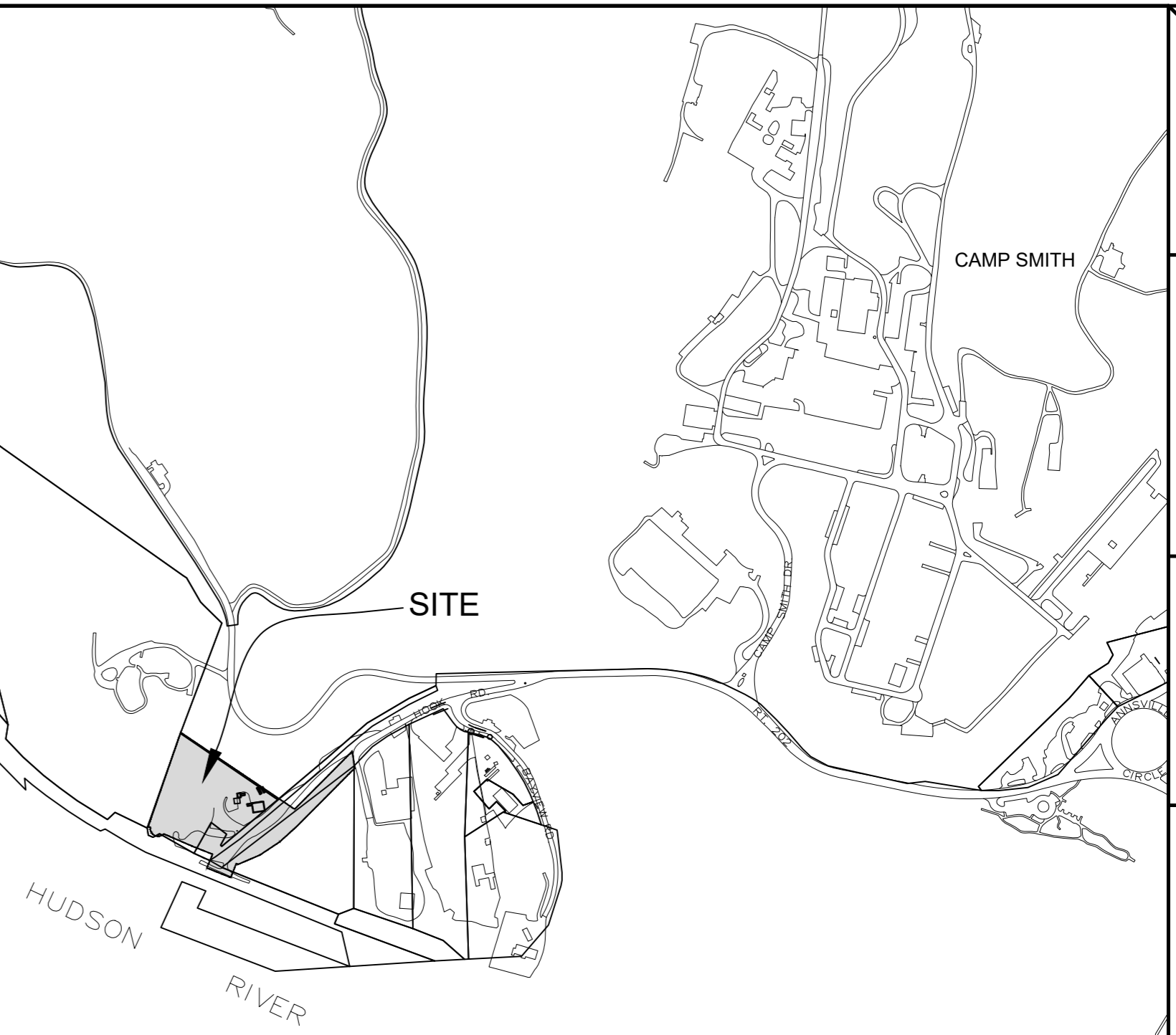
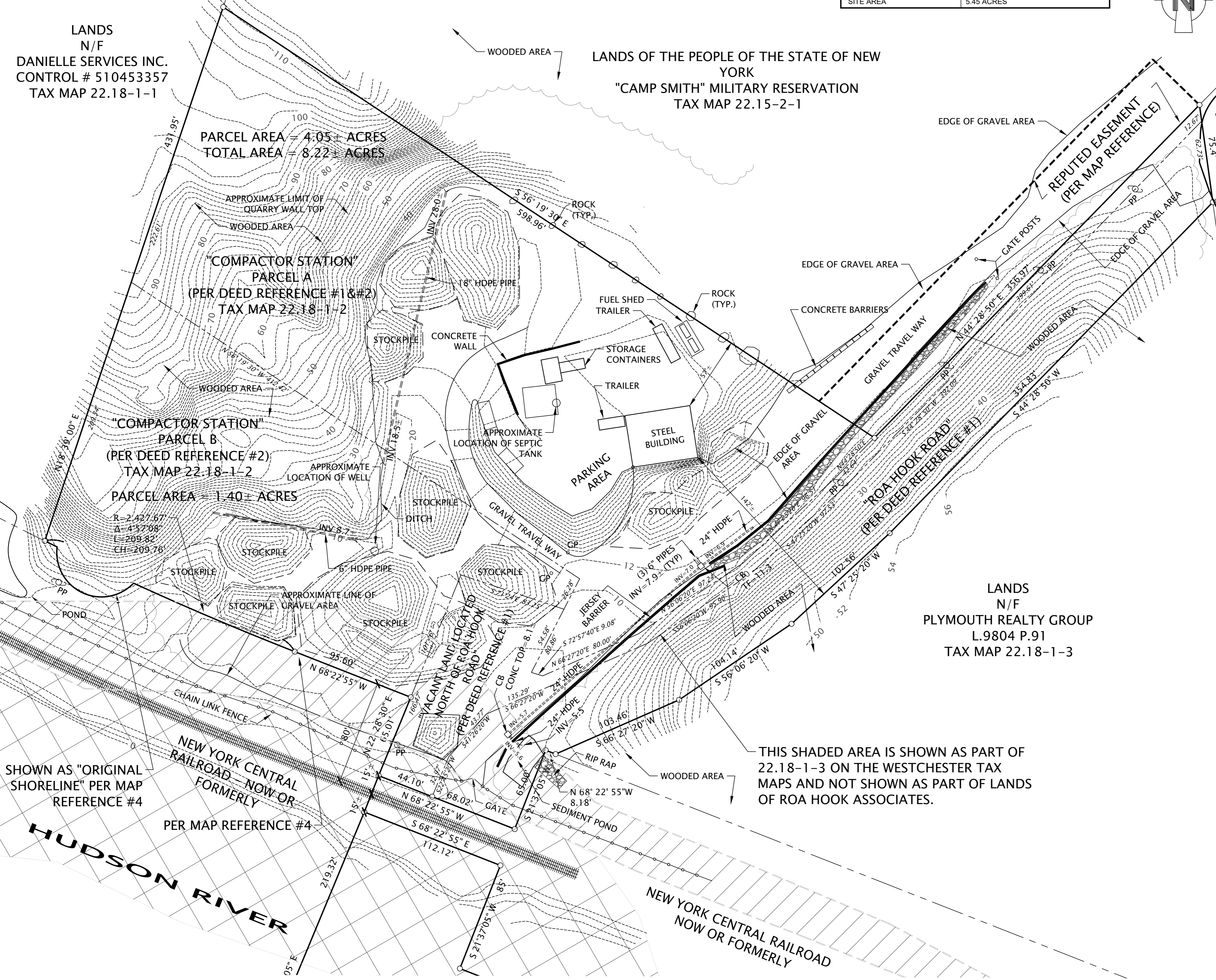
LANDS
N/F
DANIELLE SERVICES INC.
CONTROL # 510453357
TAX MAP 22.18-1-1

| PROPERTY DATA | |
|----------------|------------------------------|
| PROPERTY OWNER | ROA HOOK ASSOCIATES INC. |
| APPLICANT | V.S. CONSTRUCTION CORP. |
| LOCATION | 180 ROA HOOK RD. |
| TAX MAP DATA | SECTION 22.18 PARCEL 1 LOT 2 |
| SITE AREA | 5.45 ACRES |



LANDS OF THE PEOPLE OF THE STATE OF NEW YORK
"CAMP SMITH" MILITARY RESERVATION
TAX MAP 22.15-2-1

LANDS
N/F
PLYMOUTH REALTY GROUP
L.9804 P.91
TAX MAP 22.18-1-3



- DEED REFERENCE:**
1. Roa Hook Associates, Inc. L9804 P85
 2. Roa Hook Associates, Inc. CN:581273324

- MAP REFERENCE:**
1. "Map Showing Dump Site, Travelled Ways & Compactor Station" Property Belonging to Town of Cortlandt dated 10/31/82 prepared by Vincent Borruano, LS "This map is not a survey"
 2. "Sheet 1 of 2 Topographic Survey prepared for The Town of Cortlandt situate in The Town of Cortlandt, Westchester County, New York, dated July 11, 2007, prepared by Badey & Watson Surveying & Engineering, P.C."
 3. "Algonquin Gas Transmission Co.. Map of Property situate in Town of Cortlandt and City of Peekskill Westchester County, New York, dated May 18, 1959, and Revised May 12, 1961, prepared by J. Wilbur Irish"
 4. "Right of Way and Track Map New York Central Railroad operated by The New York Central Railroad Company Main Line - Hudson Division Peekskill - Manitou from Sta.221+760 to Sta227+040, Dated June 30th 1917, Revised December 31 - Map No. V 60/8"
 5. Boundary and topographic data obtained from a survey prepared by All-Points Land Survey, PLLC dated August 3, 2017, last revised May 28, 2020

TOWN OF CORTLANDT ZONING REQUIREMENTS

| BULK REGULATIONS | REQUIRED / ALLOWABLE | PROPOSED | VARIANCE REQUIRED |
|--|----------------------|-----------------------------|-------------------|
| LOT AREA | 20,000 SF | 237,402 SF | |
| LOT WIDTH | 100' | 395' | |
| BUILDING HEIGHT FEET | 40' | <40' | |
| FRONT YARD SETBACK | 40' | 0' TO ROW OWNED BY LANDLORD | |
| REAR YARD SETBACK | 30' | 390' | |
| SIDE YARD SETBACKS | 20' | 42' | |
| MAX. BUILDING COVERAGE (% OF LOT AREA) | 35% | 1.4% | |
| MAXIMUM DISTANCE TO STATE HIGHWAY (FT) | 1,500 | 1,200± | |
| IMPERVIOUS COVERAGE | 55% | 1.4% | |
| OUTDOOR STORAGE | 20% | <20% | |

SHOWN AS "ORIGINAL SHORELINE" PER MAP REFERENCE #4

THIS SHADED AREA IS SHOWN AS PART OF 22.18-1-3 ON THE WESTCHESTER TAX MAPS AND NOT SHOWN AS PART OF LANDS OF ROA HOOK ASSOCIATES.

SCALE: 1"=40'

INFORMATION TAKEN FROM SURVEY TITLED "MAP OF SURVEY ROA HOOK ASSOCIATES, INC. DATED 09/27/18, LAST REVISED MAY 5, 2020 BY ALL-POINTS LAND SURVEY, PLLC.



UNAUTHORIZED ALTERATIONS OR ADDITIONS TO THIS DRAWING IS A VIOLATION OF SECTION 7209 (2) OF THE NEW YORK STATE EDUCATION LAW.

SHEET NUMBER
1
3

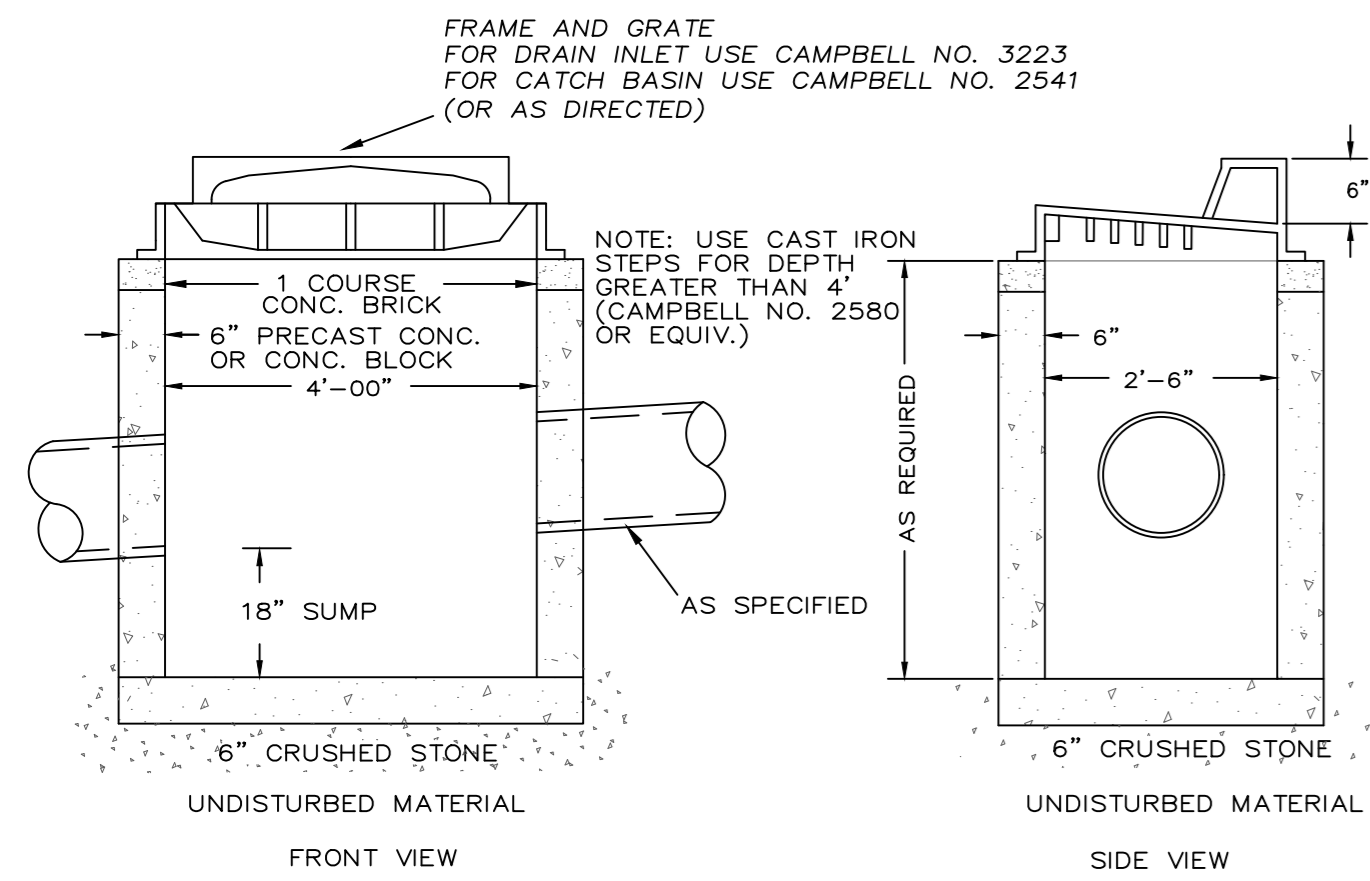
5
4
3
2
1
UPDATED SURVEY 6-23-20
ORIGINAL DATE: 5-19-20
PROJECT NUMBER:



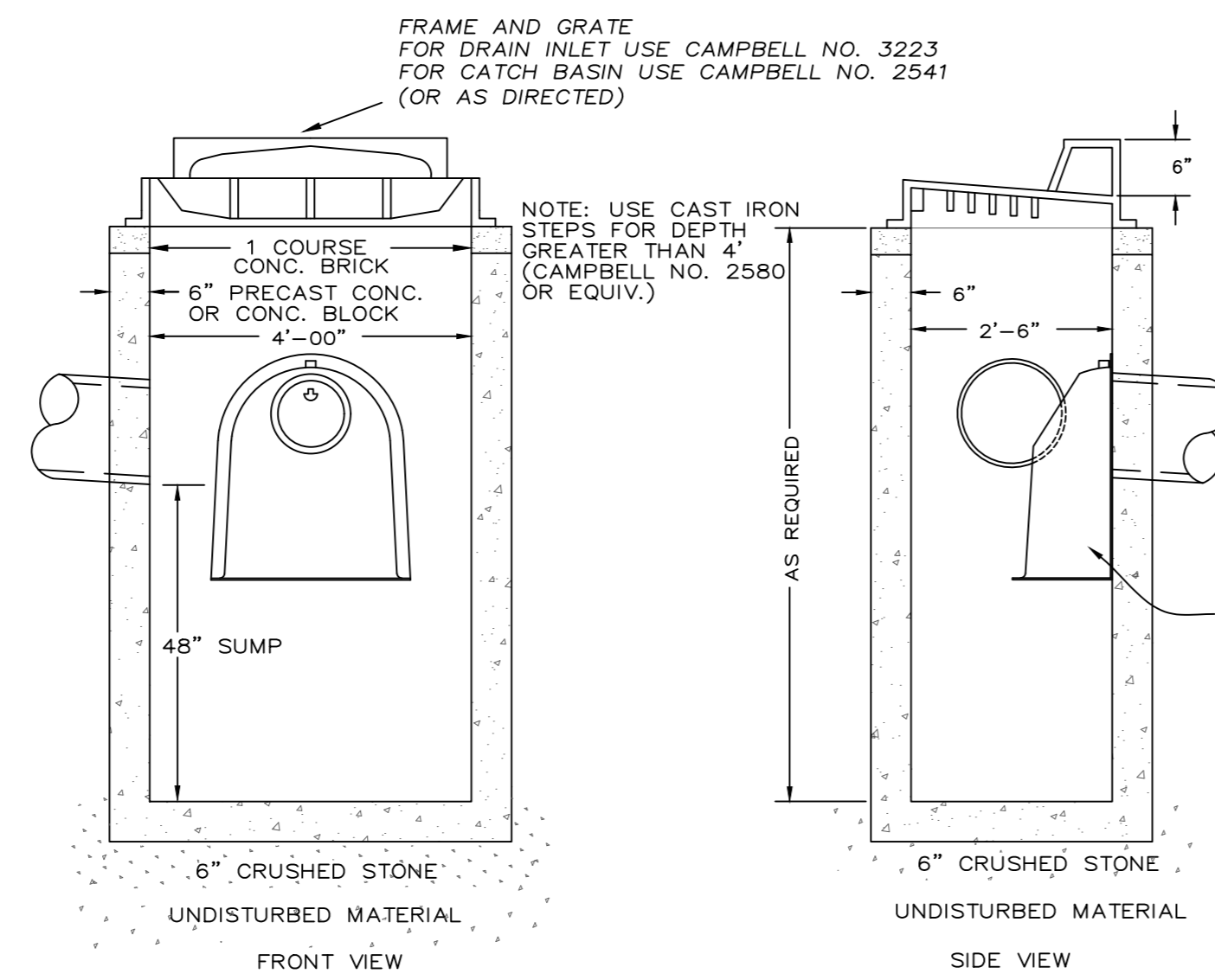
GIARCIA ENGINEERING, P.C.
360 UNDERHILL AVENUE
YORKTOWN HEIGHTS, NY 10598
(914) 245-0123

EXISTING CONDITIONS

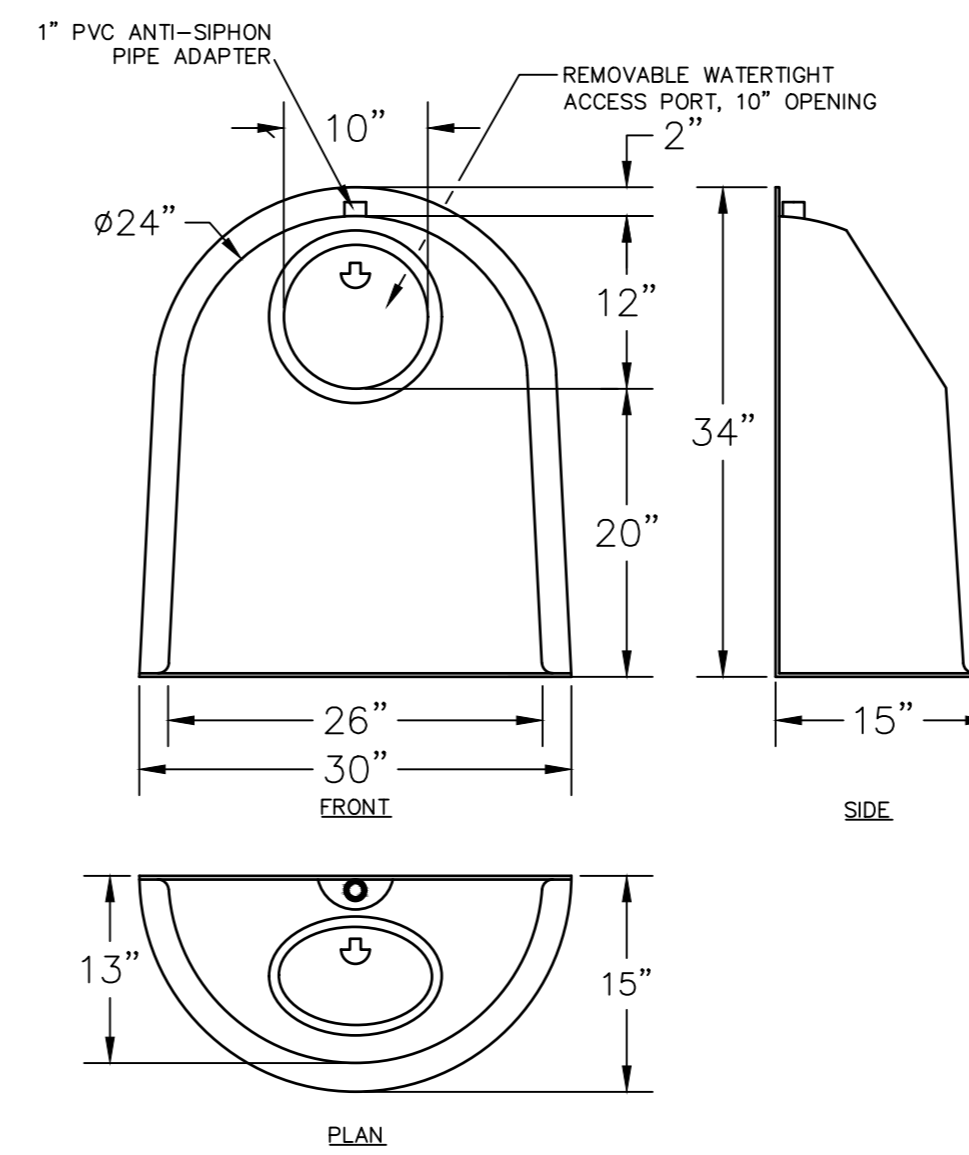
180 ROA HOOK RD.
Prepared For
VS CONSTRUCTION CORP.



CATCH BASIN / DRAIN INLET
N.T.S.



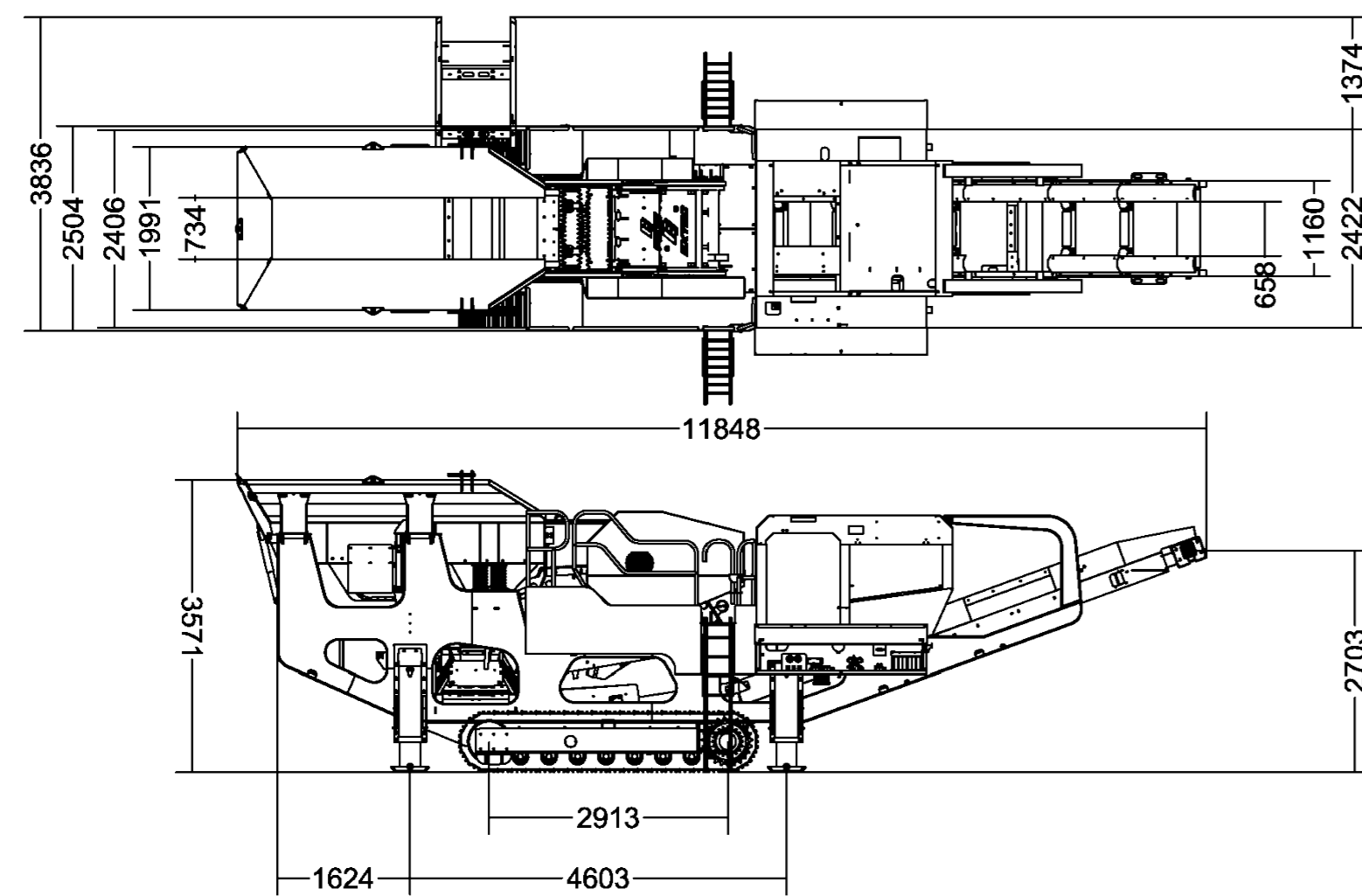
SNOUT EQUIPPED CATCH BASIN
N.T.S.



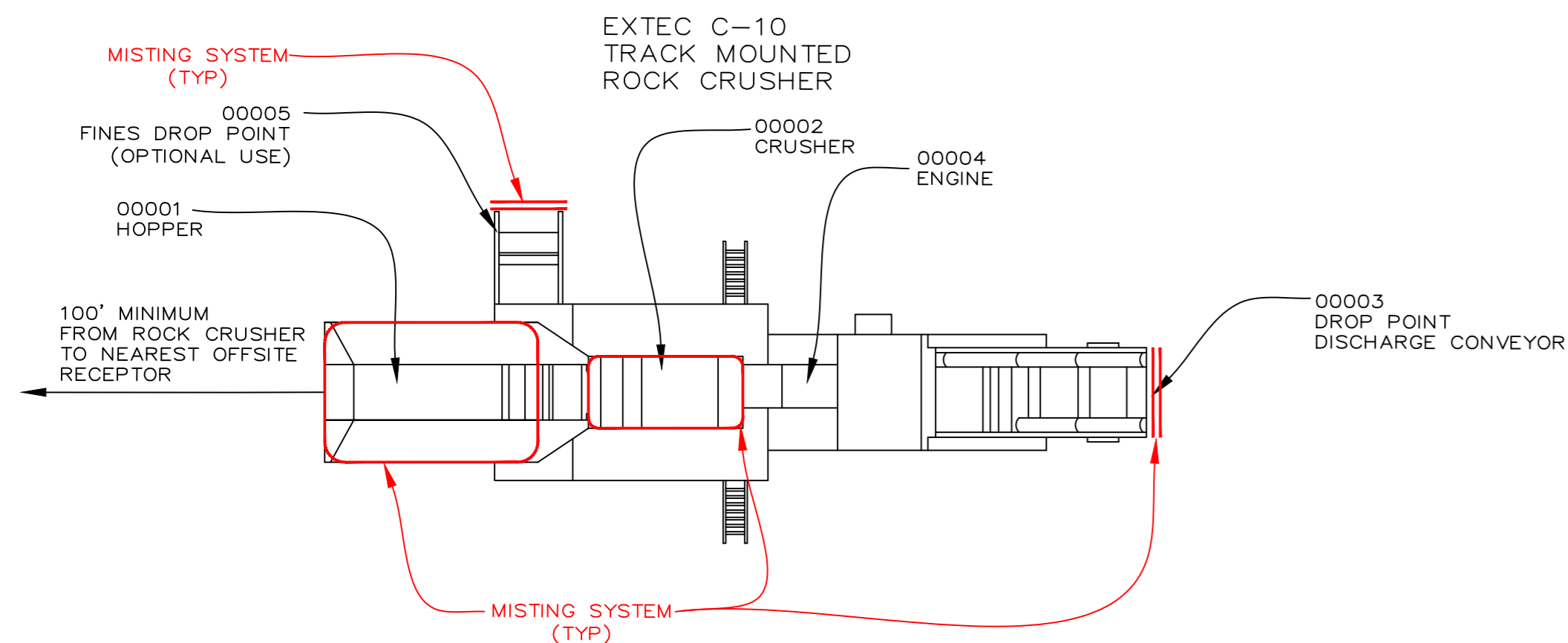
SNOUT 24F OIL & DEBRIS STOP
N.T.S.

SNOUT NOTES:

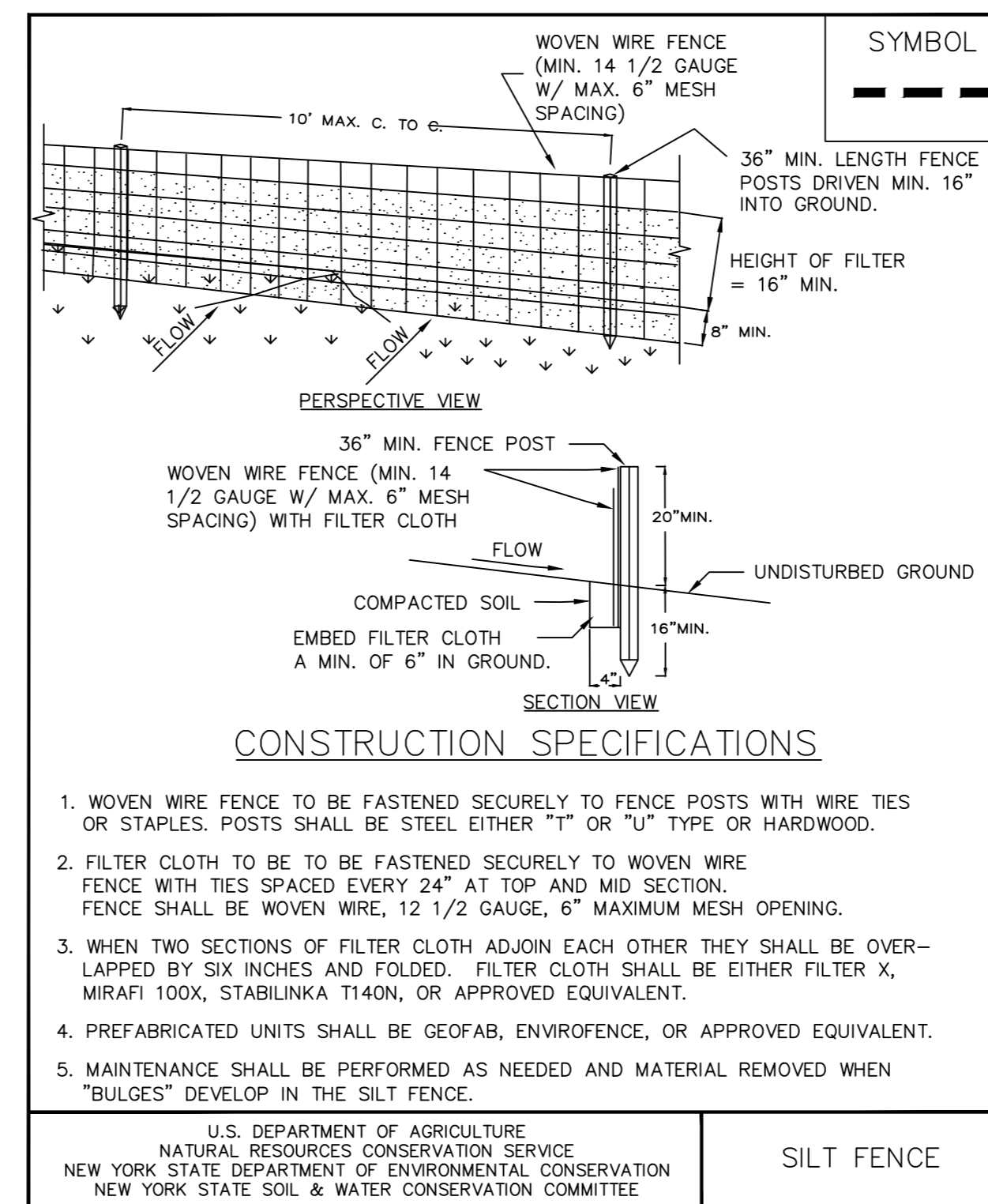
1. ALL HOODS SHALL BE EQUIPPED WITH A WATERTIGHT ACCESS PORT, A MOUNTING FLANGE, AND AN ANTI-SIPHON VENT PIPE AND ELBOW AS DRAWN. (SEE CONFIGURATION DETAIL)
2. THE SIZE AND POSITION OF THE HOOD SHALL BE DETERMINED BY OUTLET PIPE SIZE AS PER MANUFACTURER'S RECOMMENDATION (SNOUT SIZE ALWAYS LARGER THAN PIPE SIZE).
3. THE BOTTOM OF THE HOOD SHALL EXTEND DOWNWARD A MINIMUM DISTANCE EQUAL TO 1/2 THE OUTLET PIPE DIAMETER WITH A MINIMUM DISTANCE OF 6" FOR PIPES <12" I.D.
4. THE ANTI-SIPHON VENT SHALL EXTEND ABOVE HOOD BY MINIMUM OF 3" AND A MAXIMUM OF 12" ACCORDING TO STRUCTURE CONFIGURATION.
5. THE SURFACE OF THE STRUCTURE WHERE THE HOOD IS MOUNTED SHALL BE FINISHED SMOOTH AND FREE OF LOOSE MATERIAL AND PIPE SHALL BE FINISHED FLUSH TO WALL.
6. ALL STRUCTURE JOINTS SHALL BE WATERTIGHT.
7. THE HOOD SHALL BE SECURELY ATTACHED TO STRUCTURE WALL WITH 3/8" STAINLESS STEEL BOLTS AND OIL-RESISTANT GASKET AS SUPPLIED BY MANUFACTURER. (SEE INSTALLATION DETAIL)



CRUSHER DIMENSIONS (mm)
N.T.S.



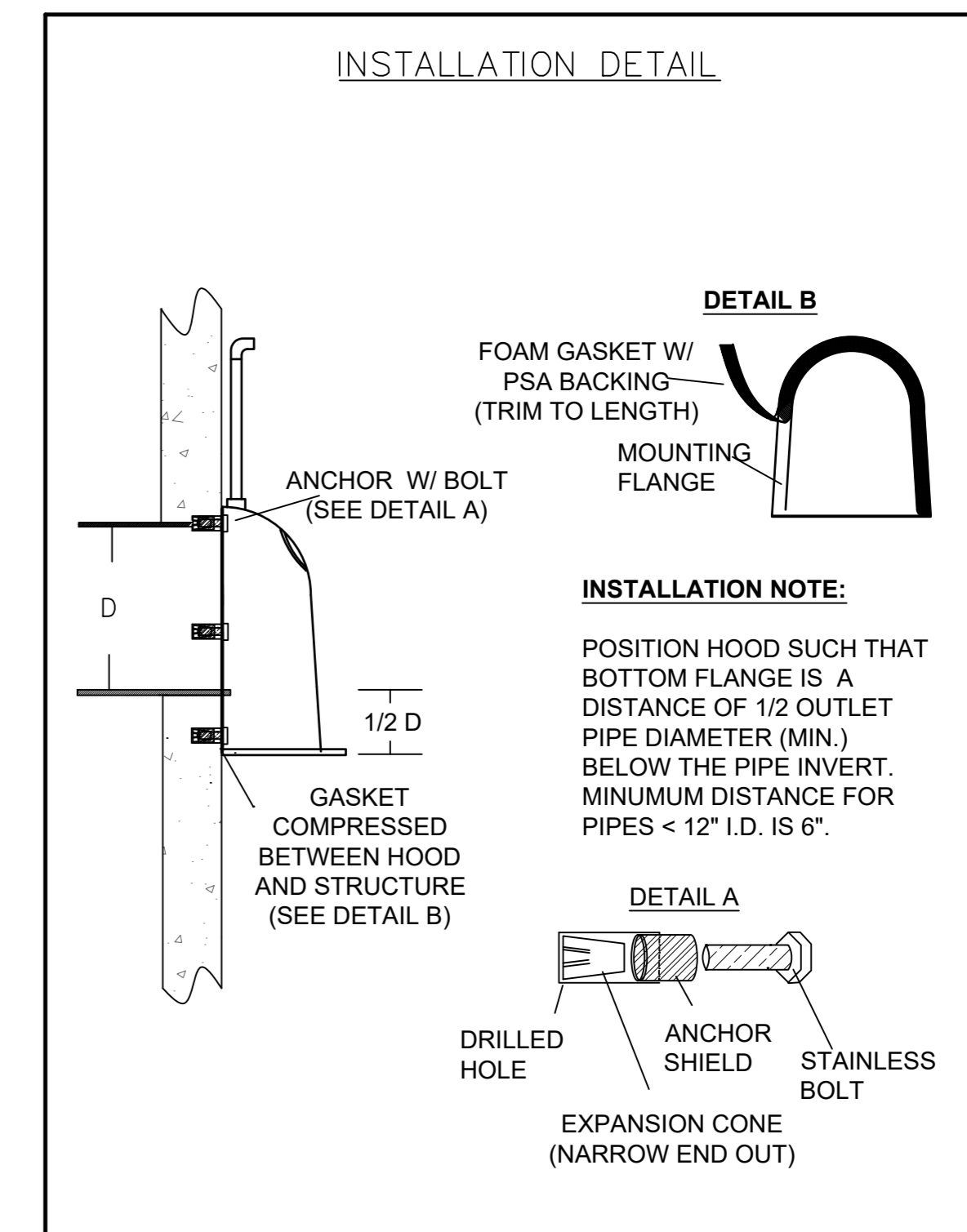
CRUSHER EMISSION POINTS
N.T.S.



1. WOVEN WIRE FENCE TO BE FASTENED SECURELY TO FENCE POSTS WITH WIRE TIES OR STAPLES. POSTS SHALL BE STEEL EITHER "I" OR "U" TYPE OR HARDWOOD.
2. FILTER CLOTH TO BE TO BE FASTENED SECURELY TO WOVEN WIRE FENCE WITH TIES SPACED EVERY 24" AT TOP AND MID SECTION. FENCE SHALL BE WOVEN WIRE, 12 1/2 GAUGE, 6" MAXIMUM MESH OPENING.
3. WHEN TWO SECTIONS OF FILTER CLOTH ADJOIN EACH OTHER THEY SHALL BE OVERLAPPED BY SIX INCHES AND FOLDED. FILTER CLOTH SHALL BE EITHER FILTER X, MIRAFI 100X, STABILINKA T140N, OR APPROVED EQUIVALENT.
4. PREFABRICATED UNITS SHALL BE GEOFAB, ENVIROFENCE, OR APPROVED EQUIVALENT.
5. MAINTENANCE SHALL BE PERFORMED AS NEEDED AND MATERIAL REMOVED WHEN "BULGES" DEVELOP IN THE SILT FENCE.

U.S. DEPARTMENT OF AGRICULTURE
NATURAL RESOURCES CONSERVATION SERVICE
NEW YORK STATE DEPARTMENT OF ENVIRONMENTAL CONSERVATION
NEW YORK STATE SOIL & WATER CONSERVATION COMMITTEE

SILT FENCE



INSTALLATION NOTE:

POSITION HOOD SUCH THAT BOTTOM FLANGE IS A DISTANCE OF 1/2 OUTLET PIPE DIAMETER (MIN.) BELOW THE PIPE INVERT. MINIMUM DISTANCE FOR PIPES <12" I.D. IS 6".

SHEET NUMBER
33

PROJECT NUMBER
ORIGINAL DATE: 5-19-20

CIARCIA ENGINEERING, P.C.
360 UNDERHILL AVENUE
YORKTOWN HEIGHTS, NY 10598
(914) 245-0123

DETAILS

180 ROA HOOK RD.
Prepared For
VS CONSTRUCTION CORP.